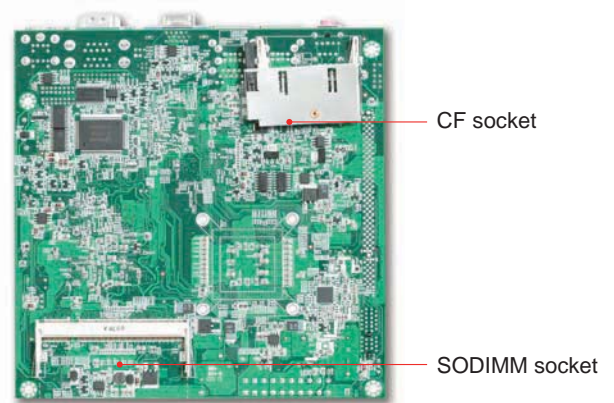
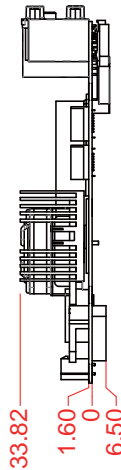
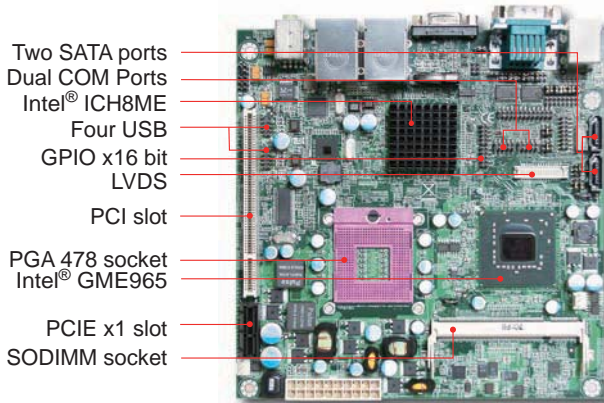


# WADE-8068

Leading Mobile Intel® Core™ 2 Duo Processor Mini-ITX with DDR2 SDRAM, Dual Displays, Two GbE LAN ports, Four COM Ports, LPT and USB



The WADE-8068 built with Intel® mobile GME965 chipset takes advantage of Intel® Core™ 2 Duo technologies. Based on integrated graphic media accelerator (GMA) X3100 graphic device, WADE-8068 with enriched serial ports can be adopted for diversity applications such as Panel PC, Lottery, Medical, Gaming and Digital Signage.

## FEATURES

- Intel® Core™ 2 Duo and Celeron® M processors
- Intel® GME965 and ICH8M-E Chipset
- Two 200-pin SO-DIMMs support dual channel DDR2 SDRAM up to 4GB
- Dual Display: VGA / 24bit LVDS, 3rd Display via expansion slot Dual Gigabit Ethernet ports
- Two SATA ports and One Type II Compact Flash
- One PCI slot and one PCI-Ex1 slot with PCI-E x4 signal
- Three RS232 ports and one RS232/422/485 port

## REAR I/O



## ORDERING GUIDE

AB1-3233	WADE-8068.Mini-ITX ESB.Intel Core 2 Duo/Celeron M.w/DDR2 SDRAM/VGA/LVDS/Dual GbE/Audio
AA1-3027	PEP-581R. 1 Slot Riser Card for Right Expansion.1xPCI
AA1-3050	PEP-5311R.1 Slot Riser Card for Right Expansion.1xPCI
AA1-3049	PEP-592R.2 Slots Riser Card for Right Expansion. One PCI and One PCI-E x4

## PACKING LIST

One WADE-8068 Mini-ITX Main Board
One Installation CD
One SATA Cable
One IO shield
One CPU Fan
One COM Cable
One LPT Cable

## GENERAL

Processor	- Intel® Core™ 2 Duo / Celeron® M processor in PGA 478 package - FSB 533/800MHz - Support Enhanced Intel SpeedStep® Technology, Intel® 64 architecture, Execute Disable Bit
Chipset	Intel® 82GME965 Graphics and Memory Controller (13.5W) and ICH8ME
BIOS	Award BIOS
Memory	Support dual channel up to 4GB DDR2 533/ 667 MHz SDRAM on two 200-pin SODIMM socket
Storage Devices	- 2x SATA support up to 3.0Gb/s data transfer rate - 1x Compact Flash socket supports Ultra DMA100/66/33 MB/s
Watchdog Timer	Programmable via S/W from 1 sec. to 255 min.
Hardware Monitoring	FAN Speed (CPU & System), Temperature (CPU & System), Voltage, Case open function
Expansion Interface	- 1x PCI Express x1 slot (Gen1, 2.5GT/s) (with PCI-E x4 signal) - 1x PCI 32bit slot

## I/O INTERFACE

Super IO	Winbond W83627UHG
Audio	- Intel® GM45 built-in High Definition Audio up to 192-kHz 24-bit - Realtek ALC888, 5.1 channels - Audio Jack DIP Light Pink/Lime
Ethernet	Intel® 82566MM and Realtek 8111C dual gigabit ethernet controllers
Serial Port	- 1x RS232 on rear IO - 1x RS232/422/485 selectable port on rear IO - 2x RS232 on pin header
USB	- 4x USB 2.0 ports on rear IO - 4x USB 2.0 ports on board with header - 480 Mb/s bus comprehends the high-speed / full-speed / low-speed data ranges
Keyboard & Mouse	1x PS/2 Keyboard & Mouse on rear IO
GPIO	Onboard programmable 16-bit Digital I/Os
Other	1x parallel port on board pin header

## DISPLAY

Graphic Controller	- Intel® GME965 Integrated GMA X3100 Graphics device supports hardware acceleration of video decode standards such MC - Intel® Dynamic Video Memory Technology (Intel® DVM T 4.0)
Display Interface	- VGA: dual channel 24-bit VGA, analog resolution up to 2048x1536 (QXGA) - LVDS: dual channel 24-bit LVDS, Digital LVDS resolution up to 600x1200(UXGA)

## Mechanical & Environment

Dimension	170(L) x 170(W) mm; 6.69"(L) x 6.69"(W)
Power Supply	-Typical: +12V(System)@2.66A;+5V@3.74A;+3.3V@0.83A -Support ATX mode
Environment	- Operation Temperature: 0°C to 55°C - Relative Humidity: 5% to 95%, non-condensing
MTBF	Over 120,000 hours at 40°C

