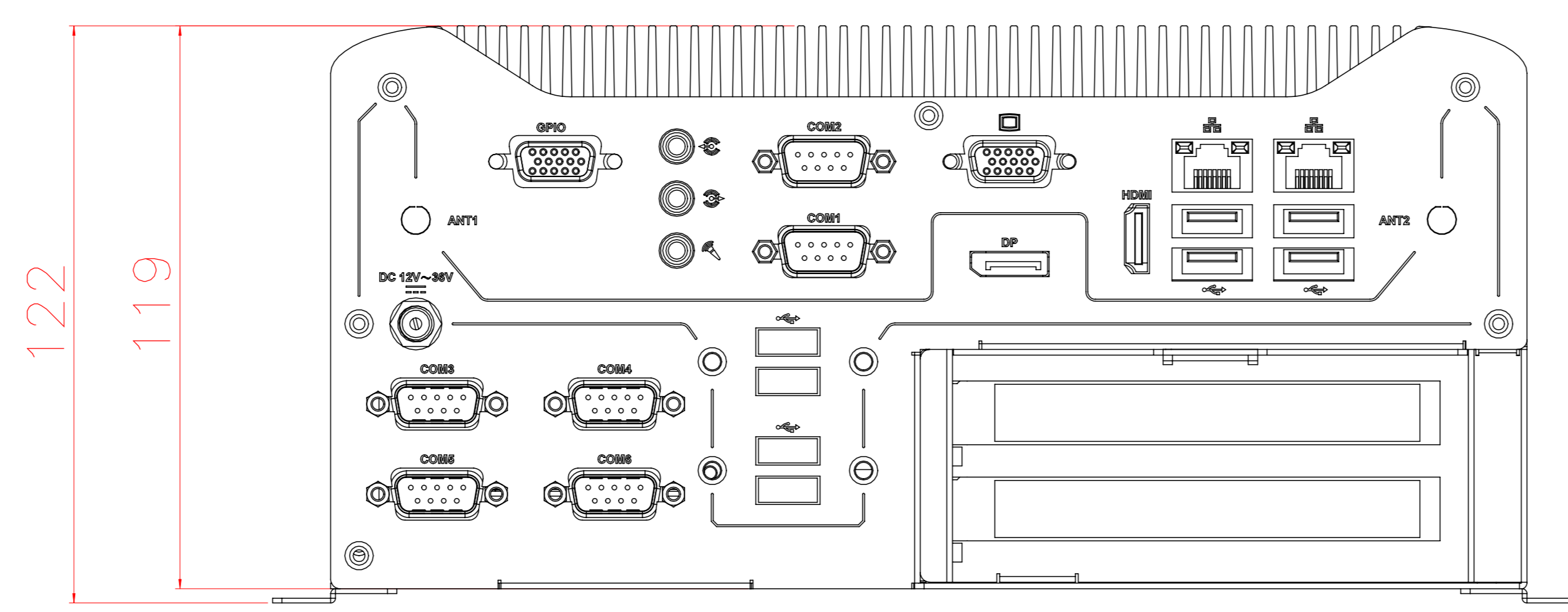
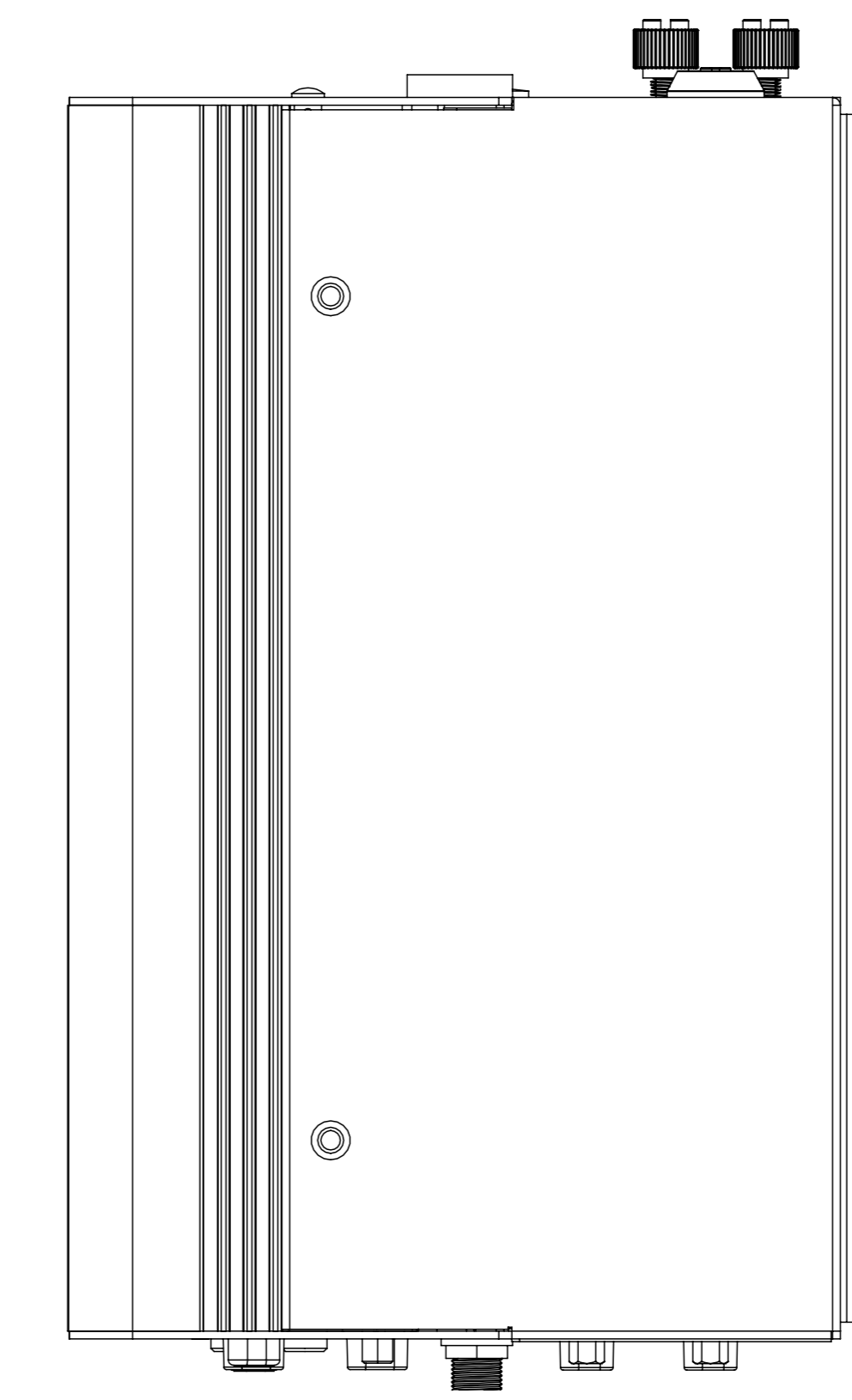
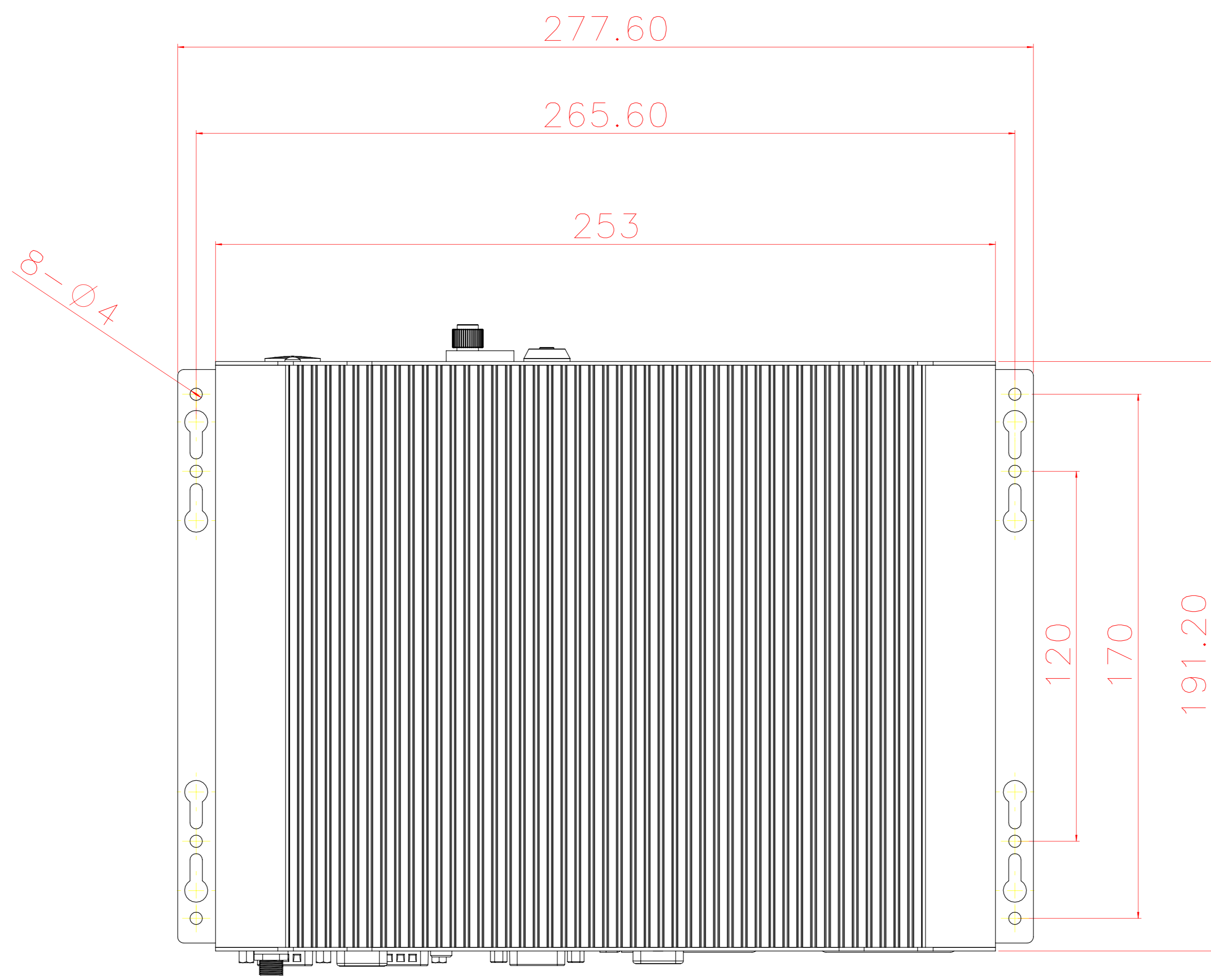
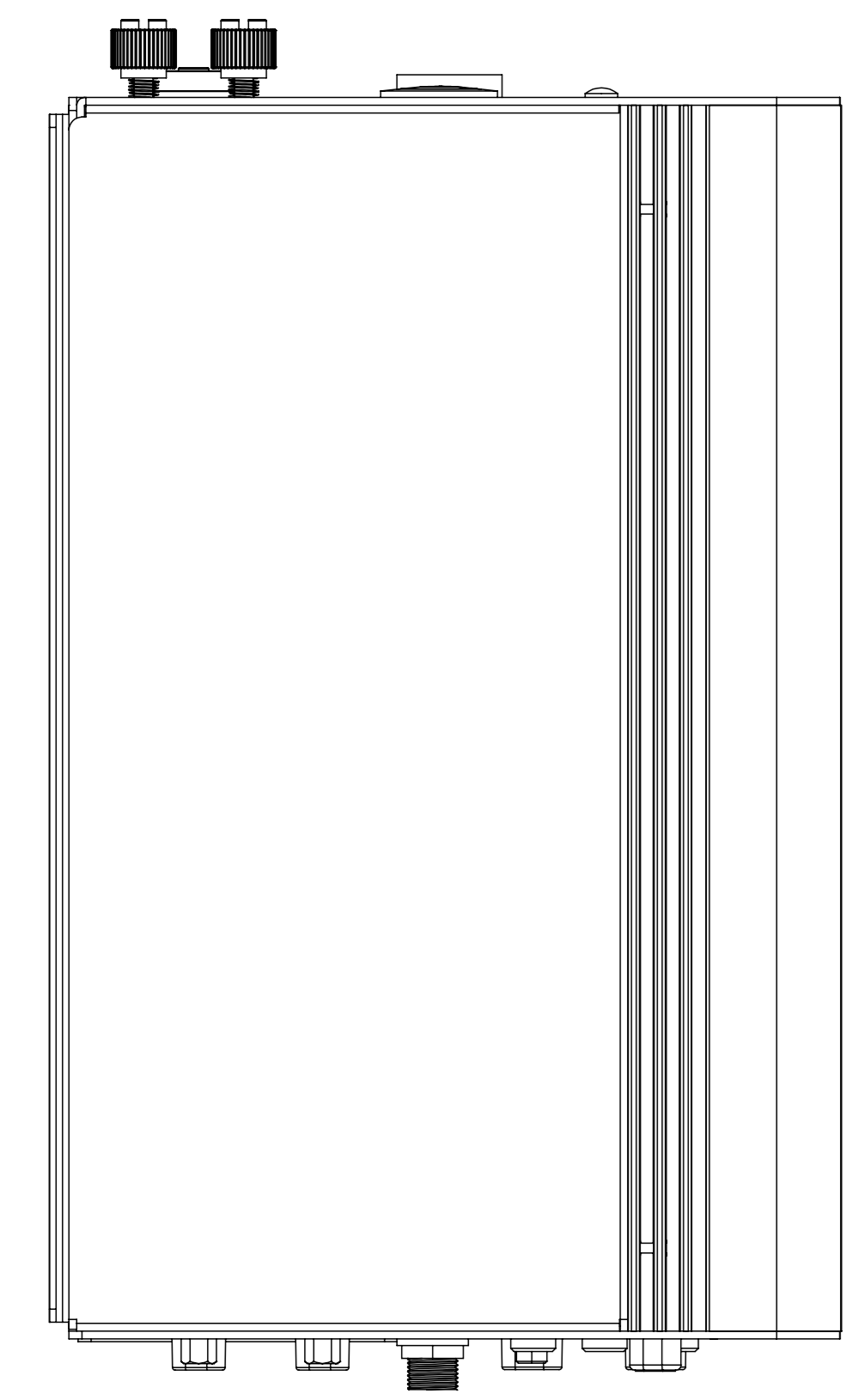
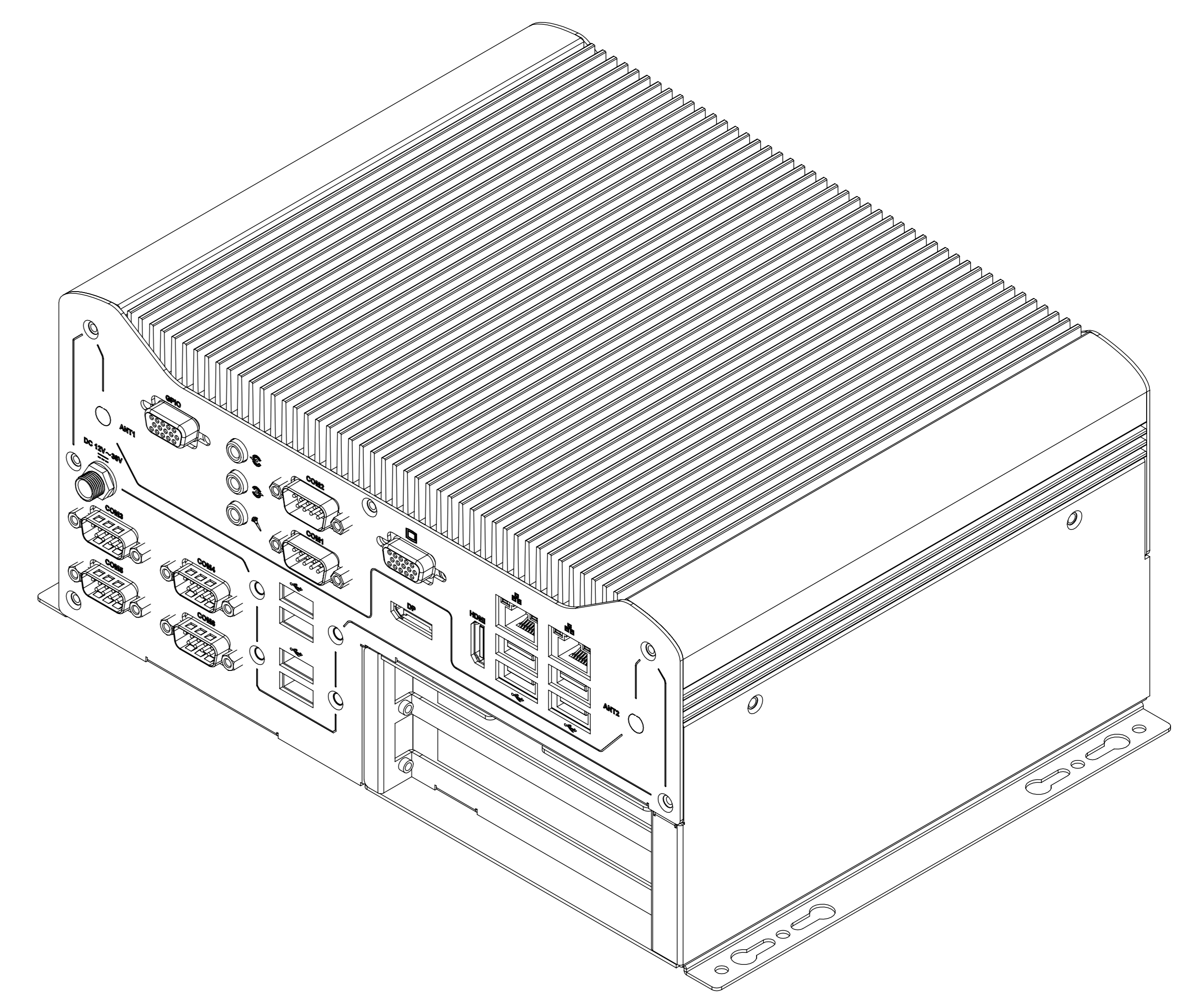
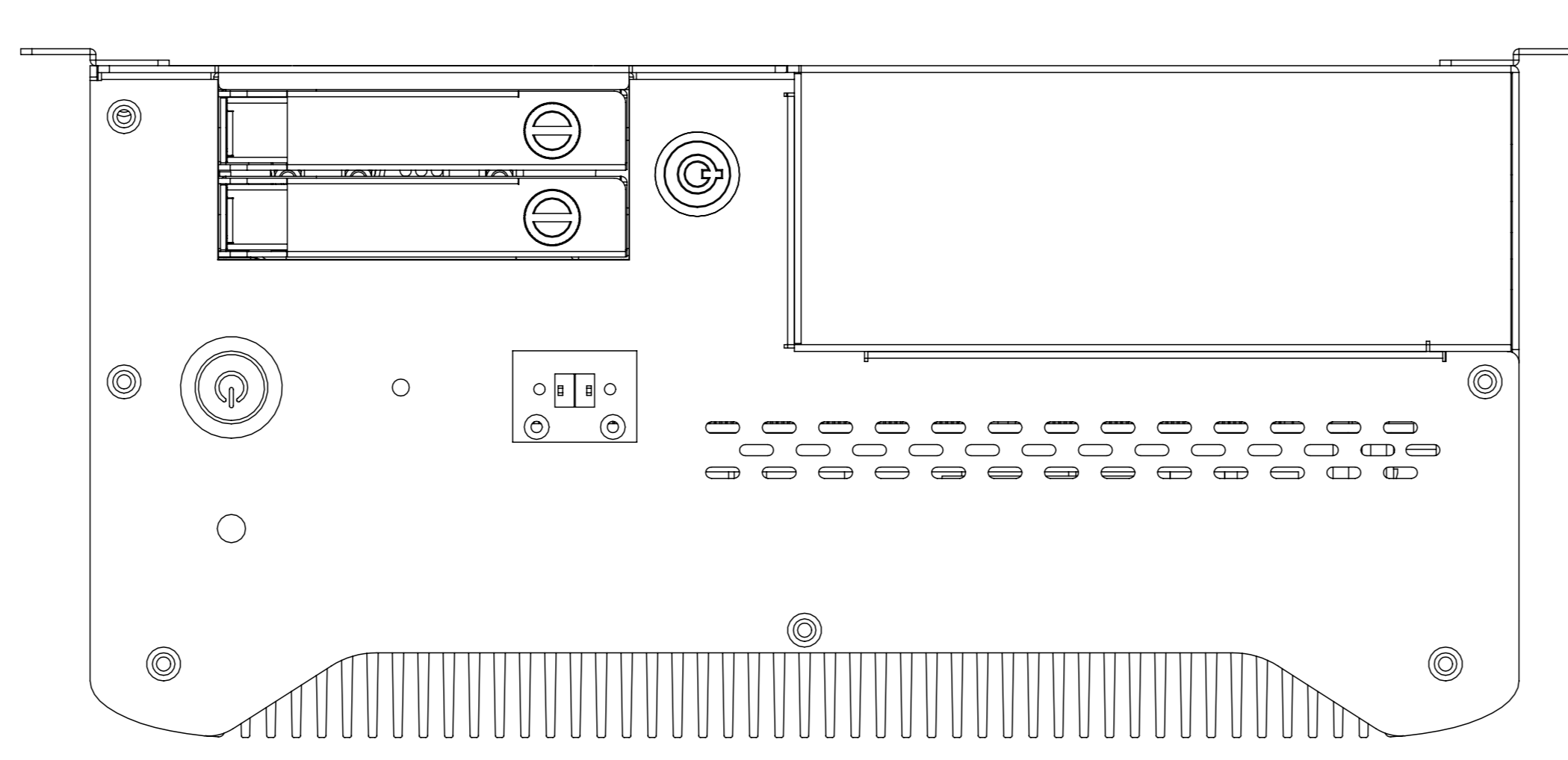


A B C D E F G H I J K

1
2
3
4
5
6
7
8



Mark	Description	Date	Sign
4			
3			
2			
1			

Portwell Inc.
7F, No. 242, Bo-Ai St., Shu-Lin City, Taipei County 238, Taiwan
Tel: +886-2-7731-8888 Fax: +886-2-7731-9888

TOL ±	M1	M2	S1	S2	P1	P2	C	P/C	TITLE	outline	DWG. NO.	DATE	Ver : 0
0~6	.05	.1	.15	.2	.25	.3	.4	.5	MODEL	WEBS-3583	PARTS NO.	Viewpoint	01/07/15
7~30	.1	.2	.25	.3	.4	.5	.6	.8	MATERIAL		APPROVED.	SCALE	1=1
31~80	.15	.25	.3	.4	.5	.6	.8	1.2	FINISH		DRAWN	UNIT	mm.
81~180	.2	.3	.4	.5	.6	.8	1.2	2			<i>Daniel</i>		
181~315	.3	.4	.5	.6	.8	1.2	2	3					
316~800	.4	.5	.6	.8	1.2	2	3	4					

A B C D E F G H I J K AOS