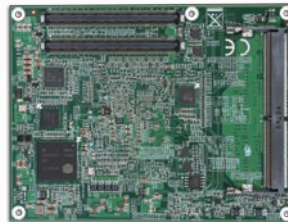


PCOM-B634VG

In the time of big data, the most important business is that data analysis. Portwell provide highest CPU computing power by Intel® new Xeon® on COM Express® module. By new thermal solution, the system can keep working 24x7 with PCOM-B634. It help customer get most important information in Big data



Intel® Pentium® D Series Processor based on Type VI Basic COM Express 2.0 module with DDR4 ECC SDRAM on Three SO-DIMM slots, VGA, HDMI, PCIe x16, 10GbE, SATA and USB



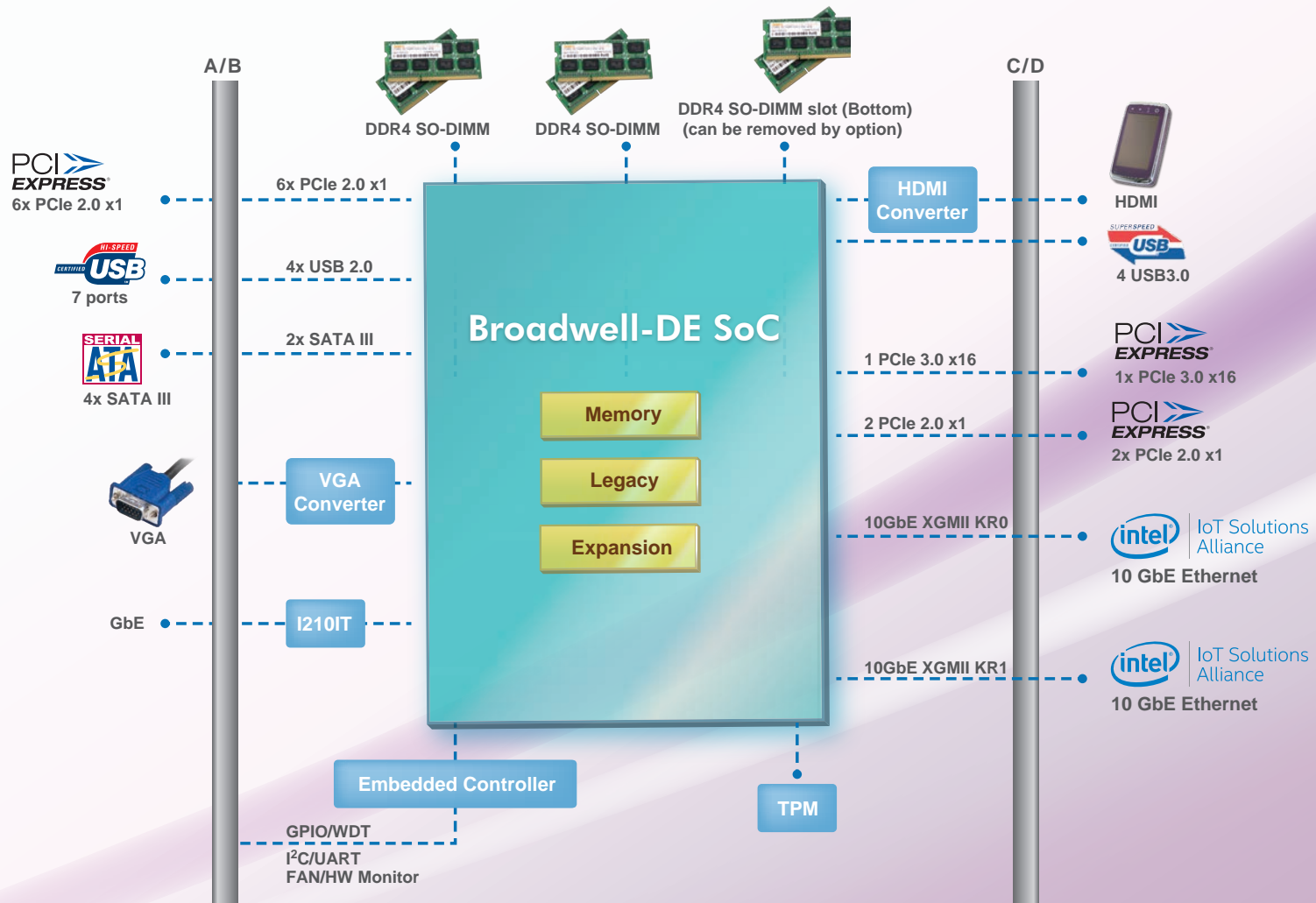
Portwell PCOM-B634VG is designed with Intel® new XEON® processor with 16 CPU cores, 10GbE Ethernet KR/KR interface interface and DDR4 ECC SO-DIMM support which provide high CPU computing, excellent Ethernet performance. Extend PCIe Gen3 ports in PCOM-B634 can support high speed IO card for more application. With VGA and legacy interface support, customer can upgrade system fast and easily.

FEATURES

- Intel® Pentium® D Series Processor on 14nm process
- Support DDR4-2400MT/s ECC/non-ECC SDRAM on three SO-DIMM slots, up to 48GB
- One VGA and HDMI, 10GbE interface
- Support 7x USB 2.0, 4x USB 3.0, 4x SATA III, 8x PCIe 2.0 x1 and 1x PCIe 3.0 x16

ORDERING GUIDE

AB1-3C91Z	(R.)PCOM-B634VG. TYPE VI. Basic Form Factor.COM Express® Module Broadwell-DE/PCH
AB1-3E09Z	(R.)PCOM-B634VG-D1537.TYPE VI. Basic Form Factor.COM Express® Module.Intel® D1537/VGA/DDR4 SO- DIMM
AB1-3D98Z	(R.)PCOM-B634VG-D1517.TYPE VI. Basic Form Factor.COM Express® Module.Intel® D1517/VGA/DDR4 SO- DIMM
AB1-3D99Z	(R.)PCOM-B634VG-D1508.TYPE VI. Basic Form Factor.COM Express® Module.Intel® D1508/VGA/DDR4 SO- DIMM



Processor Core

- ◆ Intel® New Xeon®
- ◆ Up to 16 CPU Cores
- ◆ Optional for Wide-temperature

Highlights

- ◆ Support 10GbE XGMII
- ◆ Support VGA/HDMI Display
- ◆ Support 3 DDR4 ECC SO-DIMM slots

Memory

- ◆ DDR4 2400 MT/s ECC/Non-ECC SO-Dimm
- ◆ 2 Memory Channels

Platform Thermal Design Power

CPU	D1559	D1537	D1508
W _{att}	45W	35W	25W