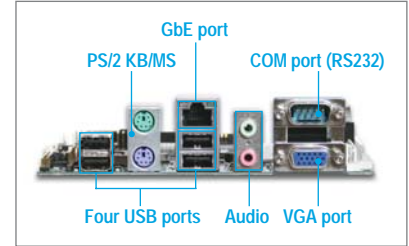
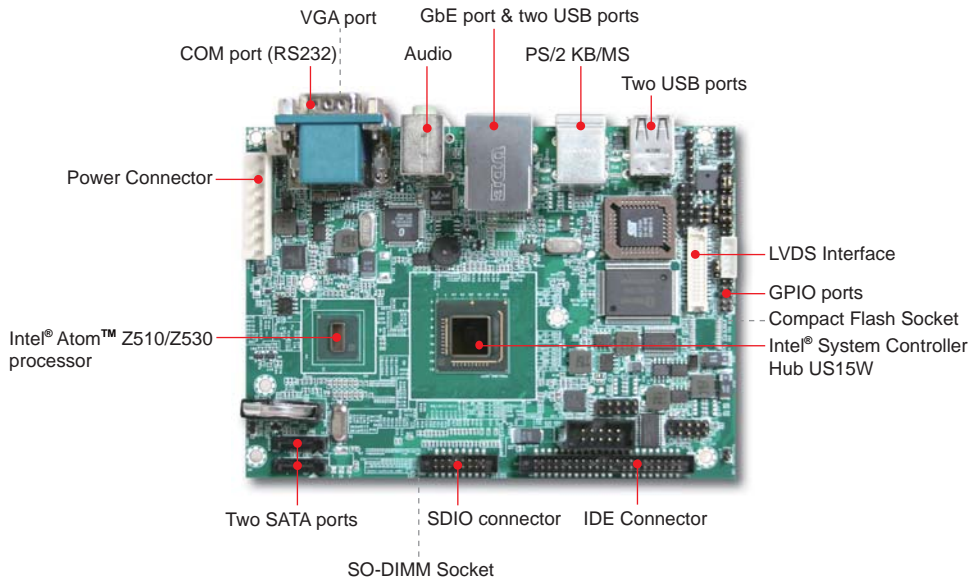


PEB-2737

Intel® 45nm Ultra Low Power Atom™ processor based ECX embedded board with VGA, LVDS, Gigabit Ethernet, Audio, USB and SDIO



Rear I/O

FEATURES

- Intel® Atom™ processor Z510 / Z530 and System Controller Hub US15W (TDP≤5W)
- One 200-pin SO-DIMM supports DDR2 SDRAM up to 2GB
- One Type II Compact Flash, one IDE & two SATA ports
- Dual independent display: VGA and 24bit LVDS
- One Gigabit Ethernet

PACKING LIST

- | | |
|-------------------|----|
| ■ ATX Power cable | x1 |
| ■ CPU heatsink | x1 |
| ■ Utility CD | x1 |

ORDERING GUIDE

Standard	PEB-2737VLA-1100 3.5" ESB based on Intel® Atom™ 1.1G processor with VGA/LVDS, LAN, COM, USB and Audio
Optional	PEB-2737VLA-1600 3.5" ESB based on Intel® Atom™ 1.6G processor with VGA/LVDS, LAN, COM, USB and Audio

OPTIONAL

Part No.	QTY	Description
B2900260	1	SATA cable
B690004S	1	IDE cable
AB9-3050Z	1	SDIO daughter board

SYSTEM

CPU	Intel® Atom™ processor Z510 / Z530 FSB: 400/533 MHz
Chipset	Intel® System Controller Hub US15W
System Memory	One 200-pin SO-DIMM support DDR2 533/400 up to 2GB
BIOS	AMI
SSD	Type II CompactFlash socket
Storage Devices	One 44-pin IDE connector & two SATA ports
Watchdog Timer	Programmable via S/W from 1sec to 255min.
Expansion Interface	N/A
Hardware Monitoring	- Temperature (CPU and System) - Voltage (CPU Vcore, VBAT, 12V, 5V, 3.3V)
Power Requirement	ATX compliant power
Dimension	102(W) x 146(L) mm; 4.01"(W) x 5.74"(L)
Environment	Operation temperature: 0~60° C Storage temperature: -20~80° C Operation humidity: 5~95%, non-condensation

I/O

MIO	1 x EIDE, 2 x SATA, 2 x RS232: One DB9 & one pin header, 1 x SDIO, 1 x K/B, 1 x Mouse, 1 x GbE
IrDA	N/A
Ethernet	One Gigabit Ethernet
Audio	Mic in, Line out
USB	4 x USB 2.0 ports & 3 x USB 2.0 with header
IEEE 1394a	N/A

DISPLAY

Graphic Controller	Intel® System Control Hub US15W integrated graphics
Graphic Memory	Intel® GMA 500
Display Interface	VGA / 24bit LVDS



Portwell, Inc. Headquarters

4F, No. 186, Jian-Yi Rd., Chung-Ho City,
235 Taipei, Taiwan
Tel: +886-2-77318888
Fax: +886-2-82271109
E-mail: info@portwell.com.tw
http://www.portwell.com.tw

American Portwell

Fremont CA Tel: +1-510-403-3399
Norcross GA Tel: +1-678-969-9808
E-mail: info@portwell.com
http://www.portwell.com

Portwell Japan, Inc.

Tokyo Tel: +81-3-5298-8071
Osaka Tel: +81-6-4791-2201
E-mail: info@portwell.co.jp
http://www.portwell.co.jp

Beijing Portwell

Beijing Tel: +86-10-82701616
Shanghai Tel: +86-21-3222-0505
Shenzhen Tel: +86-755-8621-7695
E-mail: info@portwell.com.cn
http://www.portwell.com.cn

Portwell-Laxsons India

Tel: +91-22-2685-9911
E-mail: info@portwellaxsons.com
http://www.portwellaxsons.com

Portwell, B.V.

Tel: +31-252-620790
E-mail: info@portwell.nl
http://www.portwell.nl

Portwell (UK) Ltd.

Tel: +44(0)1235-750760
E-mail: info@portwell.co.uk
http://www.portwell.co.uk