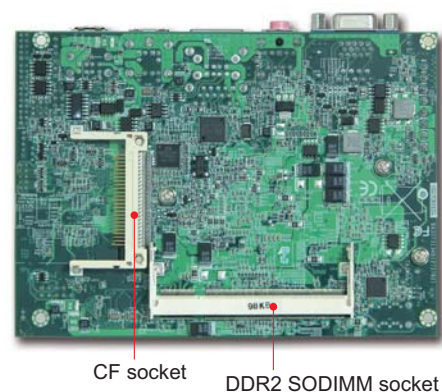
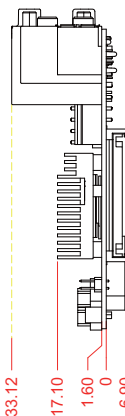
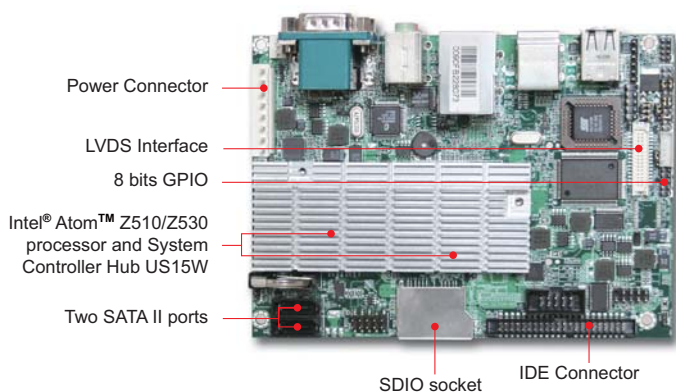


PEB-2737VLA

Intel® 45nm Ultra Low Power Atom™ processor based 3.5" embedded board with VGA, LVDS, Gigabit Ethernet, Audio, USB and SDIO

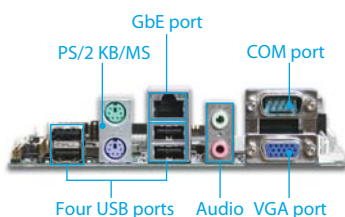


PEB-2737VLA takes advantage of the latest Intel® Atom™ technologies. It supports DDR2 SDRAM, and one gigabit ethernet. Based on Intel® Atom™ solutions, the fanless PEB-2737VLA executes high performance with low power dissipation. Therefore, making it the ideal solution for Panel PCs, Kiosks, and Industrial Automation.

FEATURES

- Intel® Atom™ processor Z510/Z530 and System Controller Hub US15W (TDP<5W)
- One 200-pin SODIMM supports DDR2 SDRAM up to 2GB
- One Type II CompactFlash, one IDE & two SATA ports
- Dual independent display: VGA and 24-bit LVDS
- One Gigabit Ethernet

REAR I/O



ORDERING GUIDE

AB1-3218	PEB-2737VLA-1100.Intel Atom 1.1G on Board. EBC.w/VGA/LAN/COM/Audio/USB
AB1-3241	PEB-2737VLA-1600.Intel Atom 1.6G on Board. EBC.w/VGA/LAN/COM/Audio/USB

PACKING LIST

One PEB-2737VLA Main Board
One 2-in-1 Heatsink
One Installation CD
One ATX Power Cable

GENERAL

Processor	- Intel® Atom™ Processor Z510 (1.1GHz, 2.2W)/Z530 (1.5GHz, 2W) with 512K L2 Cache in PBGA441 package - FSB: 400/533MHz - Supports Enhanced Intel SpeedStep®, Thermal Monitoring Technology
Chipset	Intel® System Controller Hub US15W (2.3W)
BIOS	AMI Core 8 BIOS
Memory	- Supports up to 2GB DDR2 400/533 MHz SDRAM on one 200-pin SODIMM socket
Storage Devices	- 2x SATA II support 3.0Gb/s data transfer rate by JMB362 SATA Host - 1x IDE connector supports Ultra DMA100/66/33 MB/s - 1x CompactFlash socket supports Ultra DMA100/66/33 MB/s - 1x SD socket supports 24MHz (SDIO Revision 1.1)
Watchdog Timer	- Programmable via S/W from 1 sec. to 255 sec.
Hardware Monitoring	- Temperature (CPU & System) - Voltage (CPU Vcore, VBAT, 5VSB, 12V, 5V, 3.3V)

I/O INTERFACE

Super I/O	Winbond W83627DHG
Audio	- Intel® US15W built-in High Definition Audio up to 192-kHz 32-bit - Realtek ALC262-VC2-GR HDA codec, 2.1 channels - Audio Jack on rear IO with Line-out and Mic-in
Ethernet	- Realtek RTL8111C-VC-GR Gigabit Ethernet controller - 1x RJ45 connector on rear I/O
Serial Port	- 1x RS232 port with DB9 connector on rear I/O - 1x RS232 with on board pin header
USB	4x USB 2.0 ports on rear I/O 2x USB 2.0 ports on board with pitch 2.0 header 480 Mb/s bus comprehends the high-speed/full-speed/low-speed data ranges
Keyboard & Mouse	1x PS/2 Keyboard & Mouse connector on rear I/O
GPIO	On board programmable 8-bit Digital I/Os

DISPLAY

Graphic Controller	- Intel® System Controller Hub US15W integrated Intel® GMA 500 supports full hardware acceleration of video decode standards, such H.264, MPEG2, MPEG4 and WMV9 - Chronitel CH7317A-TF/CH7317B SDVO to RGB DAC
Display Interface	- LVDS: Single channel 24-bit LVDS - CRT: One DB-15 connector on rear I/O, resolution up to 1920x1200 (WUXGA)

Mechanical & Environment

Dimension	146(L) x 102(W)mm; 5.75"(L) x 4.02"(W)
Power Supply	DC-12V input
Environment	- Operation Temperature: 0°C to 60°C - Storage Temperature: -20°C to 80°C - Relative Humidity: 5% to 95%, non-condensing
MTBF	Over 120,000 hours at 40°C

