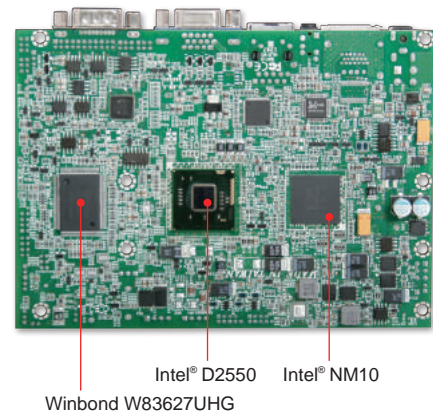
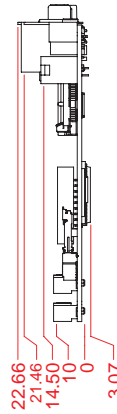
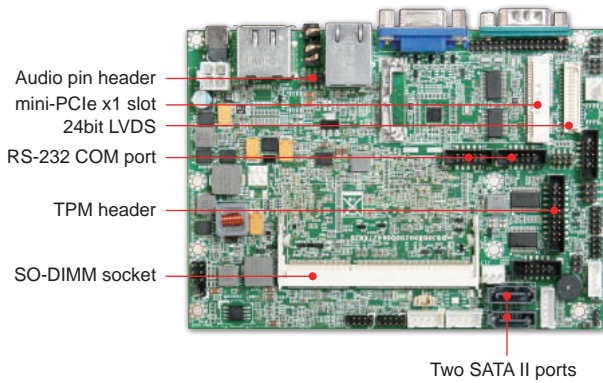


PEB-2772

Intel® Cedar Trail Atom™ Processor based 3.5' embedded Board with DDR3 SDRAM, Gigabit Ethernet, 2x SATA Ports, 4x COM ports and 12V DC input

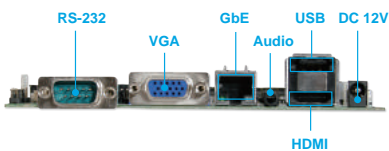


PEB-2772 takes advantage of the processor's performance and furthermore Portwell design the CPU/chipset on the backside of the board which is good for system thermal design. Customer could take this advantage to have an easy and perfect thermal solution which could solve the thermal of CPU.

FEATURES

- Intel® Atom™ D2550 processor
- Intel® NM10 Chipset
- 1x 204-pin SO-DIMM supports single channel DDR3 SDRAM up to 4GB
- Dual display: VGA/LVDS(24-bit)/HDMI
- 1x mini-PCIe slot
- 2x SATA II ports
- 4x COM ports (3x RS232, 1x RS232/422/485)
- 12V DC input

REAR/I/O



ORDERING GUIDE

AB1-3791	(R).PEB-2772VGATM Intel® Cedar Trail 1.86G D2550+NM10 on Board.EBC.w/DDR3/VGA/HDMI/GbE/COM/Audio/USB
-----------------	--

PACKING LIST

One PEB-2772 Main Board
One Thermal Kit
One Installation CD
One SATA Cable

GENERAL

Processor	- Intel® Atom™ D2550(1.86GHz, 10W) processor in FCBGA559 package - Supports Intel® Hyper-Threading Technology, Intel® 64
Chipset	Intel® NM10 Express chipset
BIOS	Phoenix BIOS
Memory	Supports up to 4GB DDR3 800/1066 MT/s SO-DIMM on one 204-pin SODIMM socket
Storage Devices	2x SATA II
Watchdog Timer	Programmable via S/W from 1 sec. to 255 sec.
Hardware Monitoring	- Temperature (CPU & System) - Voltage (CPU Vcore, VBAT, 5VSB, 12V, 5V, 3.3V)
Expansion Interface	1x mini-PCIe slot (Gen 1, 2.5 GT/s)

I/O INTERFACE

Super I/O	Winbond W83627UHG
Audio	- Intel® NM10 built-in High Definition Audio up to 96-kHz 24-bit - Realtek ALC886, 7.1+2 channel - Audio Jack on rear I/O (Line out) - Line in /Line out /Mic in on board pin header
Ethernet	- Intel® 82583V Gigabit Ethernet controller - 1x RJ45 connector on rear I/O
Serial Port	- 1x RS-232 port with DB9 connector on rear I/O - 2x RS-232 with on board pin headers - 1x RS-232/422/485 with on board pin header
USB	- 1x USB 2.0 port on rear I/O - 5x USB 2.0 ports on board with pitch 2.0 header - 480 Mb/s bus comprehends the high-speed/full-speed/low-speed data ranges
Keyboard & Mouse	1x PS/2 Keyboard & Mouse on board header
GPIO	On board programmable 8-bit Digital I/Os

DISPLAY

Graphic Controller	- Intel® Graphics Technology provides a visually stunning experience optimized for Blu-ray and HD video with Windows Vista support - Supports DirectX 9 compliant Pixel Shader v3.0 and OGL 3.0
Display Interface	- VGA: up to 1920x1200 on rear I/O - HDMI: up to 1920x1200 on rear I/O - LVDS: Digital 24-bits LVDS up to 1440x900 on board

Mechanical & Environment

Dimension	146(L) x 102(W)mm; 5.75"(L) x 4.02"(W)
Power Supply	DC-12V input
Environment	- Operation Temperature: 0°C~60°C - Storage Temperature: -20°C~80°C - Relative Humidity: 5%~95%, non-condensing
Certification	CE, FCC Class A
MTBF	Over 100,000 hours at 40°C

