

PLUTO-D3501PJ

350W PS/2 ATX PSU with active PFC
Japan made capacitor 80 PLUS and
SCP, OCP, OPP

**350W
PS/2 ATX**



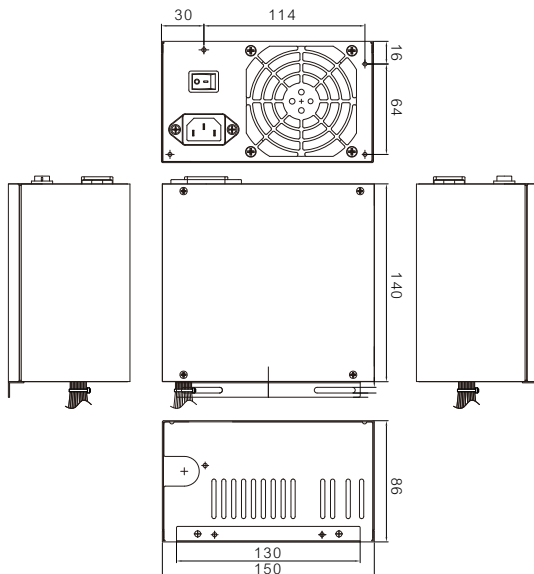
20 Pin 4Pin P4_12V 6+2 Pin 4 Pin 4Pin FDD SATA

For most PS/2 ATX in IPC applications are for server station and communication system; In those environments, heat is the major cause of output de-rating. PLUTO-D3501PJ also remains 80% de-rating output at 50°C which allows the whole system to work in high temperature environment. In addition, for various demands, PLUTO-D3501PJ provides dual +12V output for different devices.

In order to ensure the output of PLUTO-D3501PJ is stable and reliable, it has dual forward converter design and RUBYCON high quality Japanese capacitor, thus it has shown high performance at 50°C, 12 hours at 100 % loading Burn-in test.

PLUTO-D3501PJ has 80PLUS certification which helps to reduce energy consumption, and hence to save cost of electricity.

MECHANICAL DRAWING



FEATURES

- Meets ATX 12V V2.3 standard
- Dual forward converter design
- Active PFC (power factor correction) > 0.99
- Double independent +12V output
- Power Efficiency (25°C and 50°C can meet the minimum efficiency (80%) for all loading conditions (20%,50,100%))
- Leakage current: Less 3.5 mA-rms at 264Vac, 60 Hz
- Made in Japan capacitor (RUBYCON)
- Fan Control (Internal 80mm fan)
- Remote ON/OFF Control
- Hold-up Time in 16ms
- Power Good signal : TTL compatible on delay 100ms to 500ms
- Short Circuit Protection
- Over Voltage Protection
- Over Power Protection

INPUT SPECIFICATION

Input Voltage	90V~264V AC
Input Frequency	50-60Hz
Input Current	8A@115V,8A@230V

OUTPUT SPECIFICATION

Wattage	350W
Efficiency	>=80%
Holdup Time	16ms, at full load
Over Voltage Protection	3.3V@4.8V , 5V@7.0V, 12V@15.6V
EMI & Safety Approval	CE, CB, FCC, VCCI, UL, TUV, 80PLUS
Over Power/ Load Protection	Output power over 120%~160%

DC OUTPUT

	+5V	+3.3V	+12V1	+12V2	-12V	+5Vsb
Max.Load	12A	18A	18A	18A	0.3A	2.5A
Min.Load	1A	1A	1A	1A	0A	0A
Load Reg.	115W			302W		
Ripple	50mV	50mV	120mV	120mV	120mV	50mV
Noise	50mV	50mV	120mV	120mV	120mV	50mV

GENERAL SPECIFICATION

MTBF	100,000 Hours at 100% loading
Temperature/ Humidity	Storage: -40°C ~ 70°C, 10% ~ 25% (non-condensing) Operation: 5°C ~ 50°C, 20% ~ 85% (non-condensing)
Dimension (W x D x H)	150 x 140 x 85mm; 5.9" x 7.2" x 3.4"
Risetime	10 ms.

