

PLUTO-D5001PJ

500W PS/2 ATX Power Supply with active PFC Japan made capacitor 80 PLUS and SCP, OCP,OPP

**500W
PS/2 ATX**

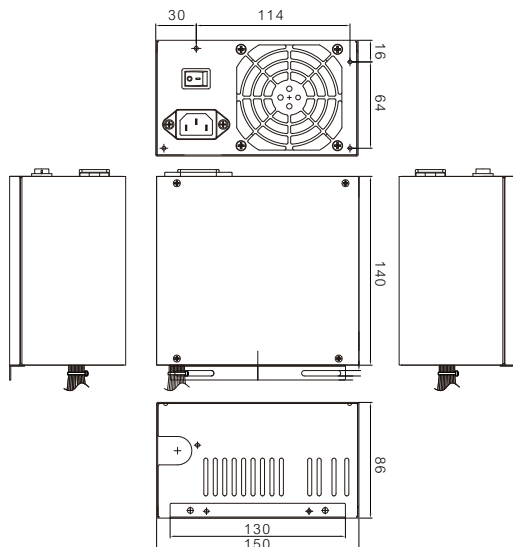


20 Pin 6+2 Pin 4+4 Pin 4 Pin 4Pin FDD SATA

To ensure PSU has well-appointed output for various devices in industrial environment, PLUTO-D5001PJ provides powerful output with dual +12V for different IPC applications. For quality output in PLUTO-D5001PJ, RUBYCON Japanese capacitors are used to reduce current leakage and lower ESR. It helps PLUTO-D5001PJ to maintain high level of stability and reliability output for various valuable machine. PLUTO-D5001PJ also passed 50°C, 12hours at 100% loading Burn-in test which shows its high reliability. In addition, PLUTO-D5001PJ remains 80% de-rating output at 50°C which allows the whole system to work in high temperature environment.

80PLUS certification can reduce energy consumption and hence to save cost of electricity, therefore, PLUTO-D5001PJ can be high efficient and keep green at the same time.

MECHANICAL DRAWING



FEATURES

- Meets ATX 12V V2.3 standard
- Dual forward converter design
- Support Intel Core i series and Xeon Series CPU
- Active PFC (power factor correction) > 0.99
- Double independent +12V output
- Power Efficiency (25°C and 50°C can meet the minimum efficiency(80%) for all loading conditions (20%,50,100%))
- Leakage current: Less 3.5 mA-rms at 264Vac, 60 Hz
- Made in Japan capacitor (RUBYCON)
- Fan Control (Internal 80mm fan)
- Remote ON/OFF Control
- Hold-up Time in 16ms
- Power Good signal : TTL compatible on delay 100ms to 500ms
- Short Circuit Protection
- Over Voltage Protection
- Over Power Protection

INPUT SPECIFICATION

Input Voltage	90V~264V AC
Input Frequency	50-60Hz
Input Current	10A@115V,8A@230V

OUTPUT SPECIFICATION

Wattage	500W
Efficiency	>=80%
Holdup Time	16ms, at full load
Over Voltage Protection	3.3V@4.8V, 5V@7.0V, 12V@15.6V
EMI & Safety Approval	CE, CB, FCC, VCCI, UL, TUV, 80PLUS
Over Power/ Load Protection	Output power over 120%~160%

DC OUTPUT

	+5V	+3.3V	+12V1	+12V2	-12V	+5Vsb
Max.Load	22A	24A	28A	20A	0.3A	2.5A
Mini.Load	1A	1A	1A	1A	0A	0A
Max.Watt	130W			456W		
Ripple	50mV	50mV	120mV	120mV	120mV	50mV
Noise	50mV	50mV	120mV	120mV	120mV	50mV

GENERAL SPECIFICATION

MTBF	100,000 Hours at 100% loading
Temperature/ Humidity	Storage: -40°C ~ 70°C, 10% ~ 95% (non-condensing) Operation: 5°C ~ 50°C, 20% ~ 85% (non-condensing)
Dimension (W x D x H)	150 x 140 x 85mm; 5.9" x 7.2" x 3.4"
Risetime	10 ms.

