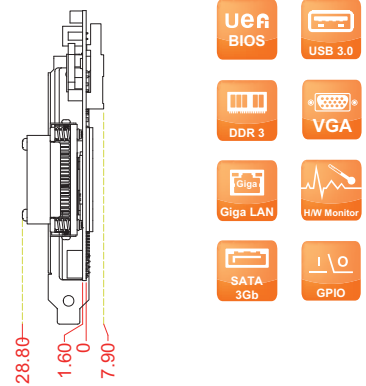
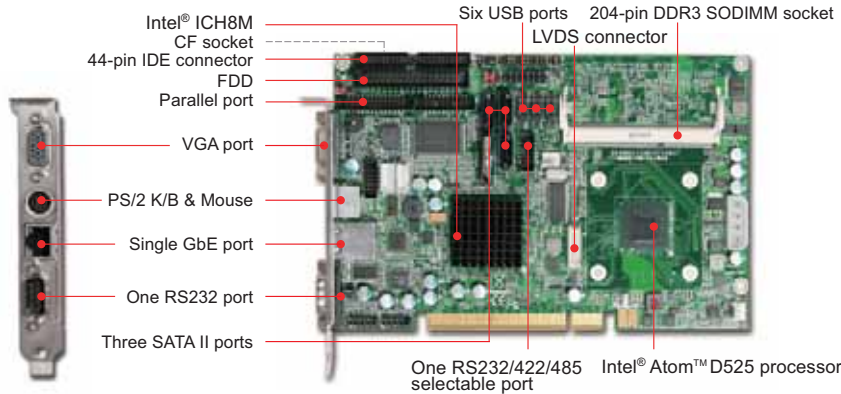


ROBO-6712VGA

Intel® Atom™ D525 processor based on PICMG 1.0 half size SBC with DDR3 SODIMM, VGA, single Gigabit Ethernet, Audio and USB



ROBO-6712VGA has a built in Intel® Atom™ D525 and ICH8M chipset which enhances performance and supports a better graphics engine, making it most suitable for Industrial Automation, Lottery, and Digital Signage applications.

FEATURES

- Supports Intel® Atom™ D525 processor and ICH8M chipset
- One 204-pin SODIMM support DDR3 800 SDRAM up to 2GB
- Supports Dual independent display: VGA/18-bit LVDS
- High speed single Gigabit Ethernet based on PCI Express x1, high bandwidth I/O interface
- Equipped with I/O connections such as FDD, two serial ports, parallel port, USB 2.0, three SATA II and one CF socket

ORDERING GUIDE

AB1-3684Z	ROBO-6712VGA Half-sized PCI SBC.Intel ATOM D525 processor.DDR3.w/LVDS/VGA/GbE/Audio
-----------	-----------------------------------------------------------------------------------------------

PACKING LIST

Standard	
	B6900600 FDD Cable
	B6900224 IDE cable
	B6901990 SATA II cable
	B6900960 cable kit for 1 serial + 1 parallel port w/ bracket
	B690003S Cable Assy 4F-4F
	B3751460 Installation CD
	B8304630 CPU cooler
Optional	
	B6902230 USB port cable with bracket
	AB9-2066 PA-M1AU Multiple Media kit

GENERAL

Processor	- Intel® Atom™ D525 up to 1.8GHz (35W) with 1MB L2 Cache in FCBGA package - DMI x4 Link: 2.5 GT/s - Supports Intel® Hyper-Threading Technology
Chipset	Intel® ICH8M (3.3W)
BIOS	Phoenix UEFI BIOS
Memory	Supports up to 2GB DDR3 800 SDRAM on one 204-pin SODIMM sockets
Storage Devices	- 3x SATA II drivers - 1x 44-pin IDE device - 1x Type II CompactFlash® socket supports Ultra DMA133/100/66/33 MB/s - 1x FDD channel on board box header
Watchdog Timer	Programmable via S/W from 0.5 sec. to 254.5 sec.
Hardware Monitoring	System monitor (Voltage, Fan speed and Temperature)
Expansion Interface	4x PCI devices at 32-bit 33MHz

I/O INTERFACE

Super I/O	Winbond W83627UHG
Audio	- Intel® ICH8M built-in High Definition Audio up to 192-kHz 32-bit - Realtek ALC662-VC2 LQFP48 codec, 5.1 channels
Ethernet	- Intel® 82567V gigabit ethernet controller - One RJ-45 connector with two LED indicators on bracket
Serial Port	- 1x RS232 on bracket - 1x RS232/422/485 selectable on board box header
USB	- 6x USB 2.0 ports - 480 Mb/s bus comprehends the high-speed/full-speed/low-speed data ranges
Keyboard & Mouse	One 6-pin mini-DIN connector for keyboard & mouse on bracket
GPIO	On board programmable 8-bit Digital I/Os
Others	1x parallel port on board box header

DISPLAY

Graphic Controller	- Intel® ICH8M Integrated GMA 3150 Graphics supports full hardware acceleration of video decode standards MPEG-2 - Intel® Dynamic Video Memory Technology (Intel® DVMT 4.0)
Display Interface	- VGA on bracket: Resolution up to 2048x1536 (QXGA) - LVDS: One channel 18-bit LVDS

Mechanical & Environment

Dimension	- 185(L) x 122(W)mm; 7.3"(L) x 4.8"(W) - PCB: 8 layers
Power Supply	- Typical: +12V@2A; +5V@5.4A - Supports AT, ATX mode
Environment	- Operation Temperature: 0~60 °C - Storage Temperature: -20~80 °C - Relative Humidity: 5~90%, non-condensing
Certification	CE,FCC Class A
MTBF	Over 120,000 hours at 40°C

