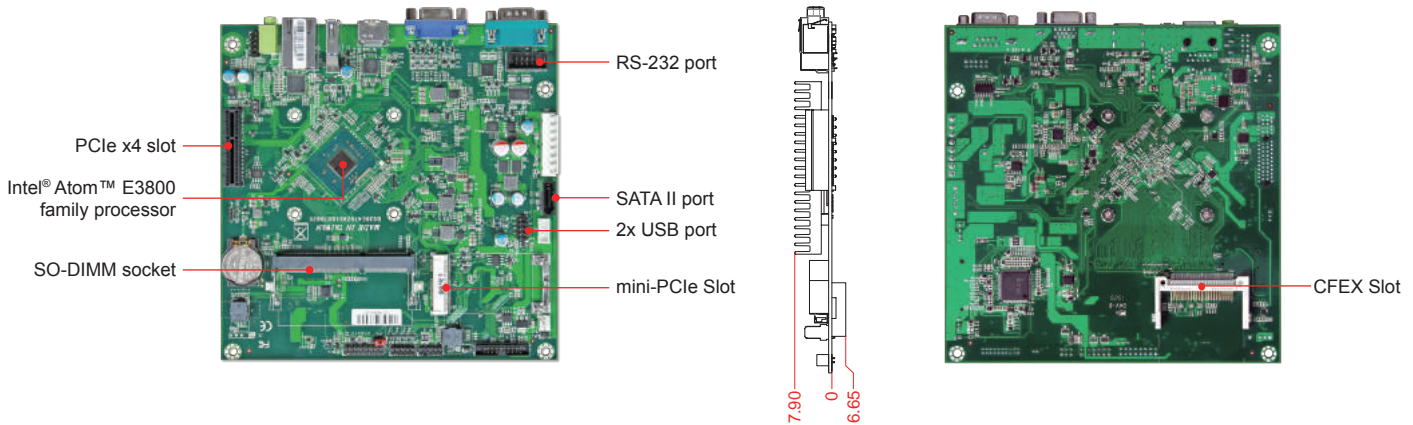


WADE-8078

Intel® Atom™ E3800 SoC based Mini-ITX. Board with VGA, HDMI, Gigabit Ethernet, Audio, USB 3.0, SATA and CFEX

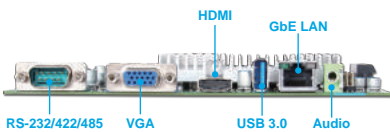


WADE-8078 is the first Portwell off-the-shelf Mini-ITX embedded board product based on the Intel® Atom™ processor E3800 product family with memory and PCI Express controller integrated to support one-channel DDR3L memory and PCI Express 2.0 lanes. Portwell has taken advantage of such technology to furnish a series of products that meets multiple industrial requirements for cost effectiveness, reliable performance and a high level of data integrity and uptime.

FEATURES

- Latest Intel® Atom™ embedded processor provides cost effective solutions with low power and quad core processor technology
- Supports PCIe x4 Slot (with PCIe x2 Lanes)
- Supports 1x DDR3L ECC 1066/1333 MT/s SDRAM, up to 4GB
- Supports 1x USB 3.0 port

REAR I/O



ORDERING GUIDE

AB1-3A41	(R).WADE-8078- E3845 Mini-ITX ESB.Intel® Bay Trail(Vallyview-I QC 1.9GHz processor) on Board .w/DDR3L SO-DIMM/VGA/HDMI/GbE Lan/COM/Audio/USB
AB1-3A42	(R).WADE-8078- E3827 Mini-ITX ESB.Intel® Bay Trail(Vallyview-I DC 1.75GHz processor) on Board .w/DDR3L SO-DIMM/VGA/HDMI/GbE Lan/COM/Audio/USB
AB1-3A43	(R).WADE-8078- E3815 Mini-ITX ESB.Intel® Bay Trail(Vallyview-I SC 1.46GHz processor) on Board .w/DDR3L SO-DIMM/VGA/HDMI/GbE Lan/COM/Audio/USB

PACKING LIST

One WADE-8078 motherboard
One Driver CD
One SATA cable

GENERAL

Processor	- Intel® Atom™ E3800 family processor - Cache up to 2MB (for Quad Core) - DPM (Defect Per Million devices) <50 - Support Intel® VT-x technology
BIOS	AMI UEFI BIOS
Memory	Support up to 4GB DDR3L ECC 1066/1333 MT/s SDRAM on 1x 204pin SO-DIMM
Storage Devices	- 1x SATA II - 1x CFEX - 1x mini-PCle
Watchdog Timer	Programmable by embedded controller
Expansion Interface	Supports PCIe x4 slot (with PCIe x2 Lanes, Gen2 5GT/s)

I/O INTERFACE

Audio	- Realtek ALC892 supports 5.1 Channels - Audio Jack Line out on board
Ethernet	On board Intel I210AT
Serial Port	1x RS-232/424/485 Selectable port on rear I/O
USB	- 2x USB 2.0 ports on board - 1x USB 3.0 ports on rear I/O
Keyboard & Mouse	KBC controller integrated in embedded controller
GPIO	8-bit configurable controlled by embedded controller

DISPLAY

Graphic Controller	- Intel® HD Graphics 4600 supports DirectX11, OpenGL® 4.0, OpenGL® 3.2 - Video decode hardware acceleration supports for H.264, MPEG2, MVC, VC-1, WMV9 and VP8 formats
Display Interface	- VGA: up to 2560x1536@24bpp - HDMI: up to 1920x1080@24bpp

Mechanical & Environment

Dimension	170mm(L) x 170mm(W); 6.69"(L) x 6.69"(W)
Power Supply	ATX (support non-5V satdby)
Environment	- Operation temperature: 0°C~60°C - Storage temperature: -20°C~80°C - Relative humidity : 5%~95%, non-condensing
Certification	CE,FCC Class A
MTBF	Over 100,000hrs at 55°C

