

FUDA

Panel PC
SERIES

Quality You Can Trust

- Stylish
- Rugged
- Intelligent
- Flexible
- Fan-free
- Integrated



Fan-free Slim Panel PC with Low Power Intel® Atom™ Cedarview Dual Core D2550 1.86GHz



Stylish

- All-in-one Design
- Attractive Appearance
 - Stylish industrial design
 - Refined edges without cutting burr
 - Aluminum Tooling enclosure
 - Indentation of I/O from side view
- Touch Window (sensitivity)
 - 5-wire resistive single touch window
 - Projected capacitive multi-touch window (customizable)
- Ultra Slim & Ultra light (compact)

Rugged

- Front Bezel
 - Aluminum(6mm)
 - Stainless(DIN EN 1672-2) (customizable)
- IP65



Intelligent

- HDD Tray & CF Cover
- Cable-less
- Easily Removable Back Cover
- RS-232/422/485 Selectable by BIOS
- Wide DC Input Range 12~24V
- Auto loss Power On



Flexible

- I/O Board Docking Design (Golden Finger Connector)



FUDA- S1010/S1210/S1510/S1710/S1910



2 x USB
2 x RS-232/422/485

Default



1 x RS-232
2 x RS-232/422/485

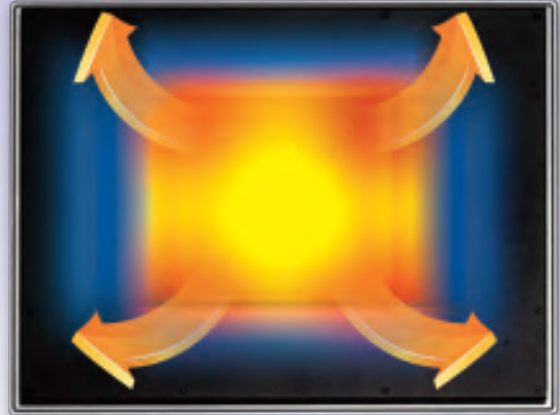


2 x USB
1 x Line-out
1 x RS-232/422/485

* The signals of Golden Finger interface:
(1)USB1.1/2.0 X2 (2)RS232X2 (3)RS232/422/2485X2 (4)Line out X1

Fan-free

- Optimal Placement Arrangement
 - Thermal simulation before HW is built
- Best Platform and Component Selection
 - Low power CPU (Cedar Trail)
 - Suitable electrical components that generate less heat
 - Aluminum tooling (back cover)
 - Suitable heat sink and thermal pad (dissipates heat quickly)
 - Longevity Support (CPU, No fan & Industrial Panel)



Integrated

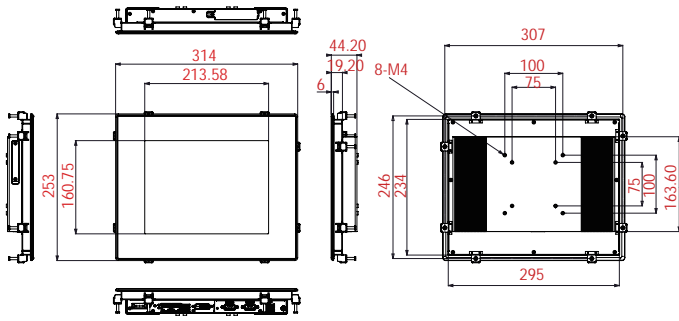
- EtherCAT Support (Intel® 82574L Gigabit)
- Embedded OS and BIOS service(customizable)
- APIs(Provide default package and customizable)



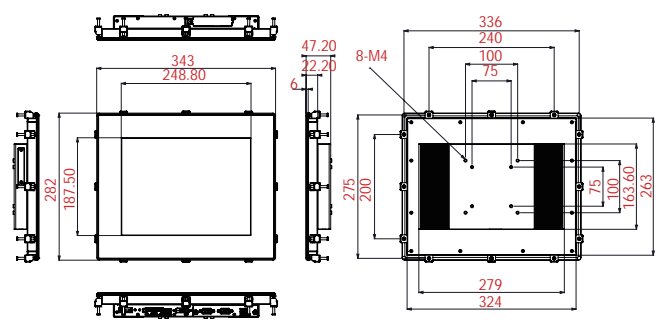
* Automation network control can recognize FUDA automatically (The LAN chip Intel® 82574L is in the EtherCAT solution approval list. The default driver is embedded in the OS and no more extra software efforts are needed).

Outline Dimension

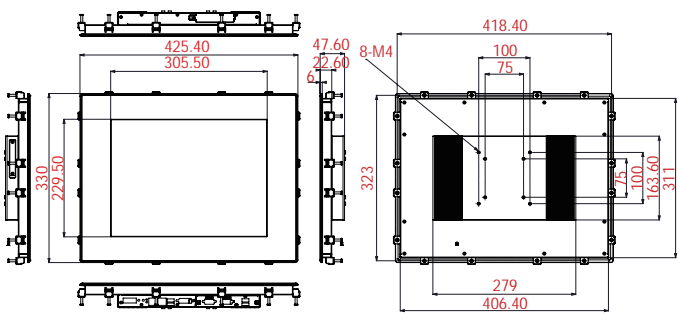
FUDA-S1010



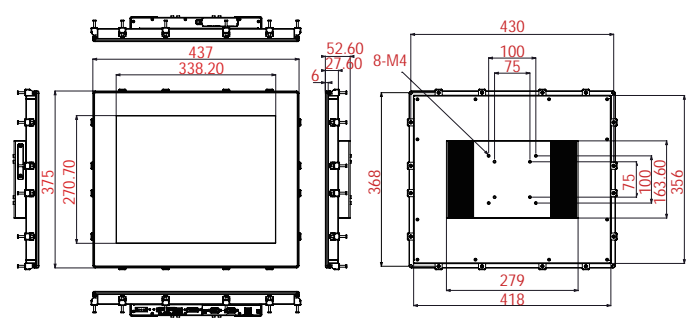
FUDA-S1210



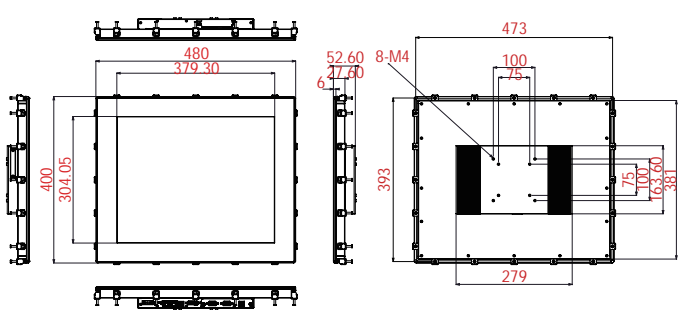
FUDA-S1510



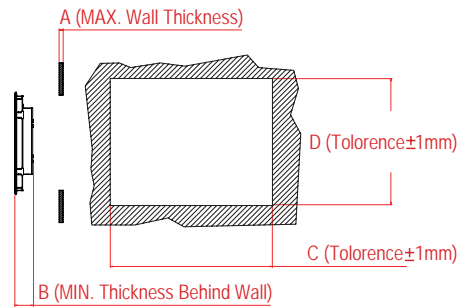
FUDA-S1710



FUDA-S1910



Cut Out Dimension



Accessory

HDD and HDD Tray(M3X4L) Screws	4 pieces
CD (Drivers and user's manual)	1 piece
3-Pin terminal block connector (Female)	1 piece
Panel Mounting Kits (Quantity by model, as the below table describing)	

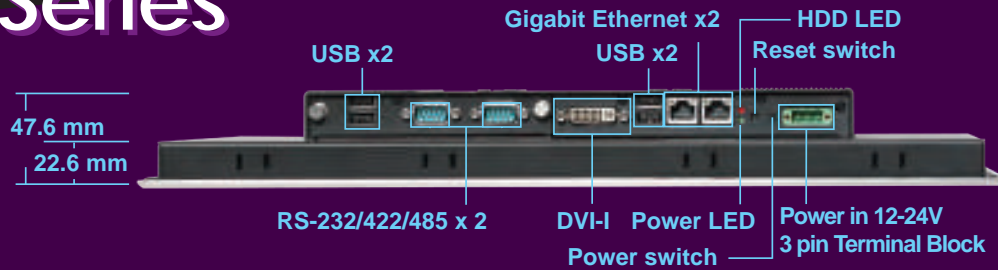
Optional (ATO)

Storage	2.5" SATA HDD &SSD,CF Card
Memory	DDR3 SO-DIMM SDRAM 1066-1333 MHZ, 30mi gold (1,2,4GB)
Adaptor Set	12V, 5A /60W Adaptor + 3 pin terminal block cable
OS	Windows 7(32 bit) /WES 7(32 bit) (Label & OS installation)

	A (mm)	B (mm)	C (mm)	D (mm)	Mounting Kits (pcs)
FUDA-S1010	<6.5	40.2	297.0	236.0	x8
FUDA-S1210	<6.5	43.2	326.0	265.0	x12
FUDA-S1510	<7.0	43.6	408.5	313.0	x16
FUDA-S1710	<8.0	46.6	421.0	359.0	x16
FUDA-S1910	<8.0	46.6	463.0	383.0	x20



FUDA Series



Model Name	FUDA-S1010	FUDA-S1210	FUDA-S1510	FUDA-S1710	FUDA-S1910
Display					
LCD Size	10.4"	12.1"	15"	17"	19"
Resolution	800x600	800x600	1024x768	1280x1024	1280x1024
Brightness	400 cd/m2	450 cd/m2	400 cd/m2	350 cd/m2	350 cd/m2
Contrast Ratio	700:1	700:1	700:1	700:1	700:1
Backlight	LED type	LED type	LED type	LED type	LED type
Touch Screen	5-Wire Resistive Single Touch; Projected Capacitive Multi-Touch (customizable)				
System					
CPU	Intel® Atom™ Dual-Core D2550 1.86 GHz				
Chipset	Intel® NM10				
Memory	DDR3 SO-DIMM SDRAM 1066-1333 MHz max up to 4GB				
BIOS	AMI BIOS				
Graphics	Intel® GMA 3650 Graphics				
LVDS	Dual Channel 24-bit				
LAN Chipset	Dual Intel® 82574L Gigabit Ethernet				
Audio	Realtek® High Definition Audio				
Watchdog Timer	1~255 levels reset				
Storage Device	2.5" SATA HDD/2.5" SATA SSD/ Compact Flash II up to 32GB				
OS	Windows 7(32 bit) /WES 7(32 bit) supported				
I/O Interface					
On Board	2 xGigabit , 2x USB , 1x DVI-I				
Expansion	2 x RS-232/422/485, 2 x USB (Default)				
	2 x RS-232/422/485, 1 x RS-232				
Support Protocol	1 x Line-out, 1 x RS-232/422/485, 2 x USB				
Mechanical					
Mounting	VESA Mount 75 x 75, 100 x 100; Panel Mount				
Weight (Kg)(N)	3.2 Kg	4.0 Kg	5.0 Kg	6.5 Kg	7.5 Kg
Weight (Kg)(G)	5.5 Kg	5.7 Kg	7.9 Kg	8.5 Kg	10.85 Kg
Power					
Power Supply	DC 12 ~ 24V input (w/3 pin DC input terminal block)				
Consumption (Max)	33.1W(12V); 34.3W(24V)	35W(12V); 36W(24V)	39.2W(12V); 40.0W(24V)	47.5W(12V); 48W(24V)	45.6W(12V); 46.3W(24V)
Consumption (Min)	7.1W(12V); 7.9W(24V)	7.1W(12V); 7.9W(24V)	7.3W(12V); 7.9W(24V)	7.3W(12V); 8.2W(24V)	7.3W(12V); 7.9W(24V)
Environmental					
OP /Storage	0 ~ 50°C (Operation); -20~60°C (Storage); (20~90%, non-condensing)				
Vibration	1.0G (CF) and 0.5G (HDD) , Power on & 2.16G, Packaged;5~500Hz				
Shock	15G peak acceleration,11 ms (Power on condition)				
Drop	Packaged with Carton from 96.5cm (1-Corner, 3-Axis, 6-Face)				
IP Protection	IP65 (Front) / IP20 (Rear) (IEC 60529 Edition 2.1 Standard)				
Certificate	CE/FCC Class A				



American Portwell (Fremont, California)

44200 Christy St.
Fremont, CA 94538, USA
Tel: +1-510-403-3399
Fax: +1-510-403-3184
E-mail: info@portwell.com
<http://www.portwell.com>

American Portwell (Norcross, Georgia)

5555 Oakbrook Parkway, Building 100
Suite 175, Norcross GA 30093, USA
Tel: +1-678-969-9808
Fax: +1-678-969-9816
E-mail: info@portwell.com
<http://www.portwell.com>

Portwell Japan, Inc. (Tokyo)

〒101-0042 ShowaKanda Build 9F, 10-2
Kanda Higashi Matsushita-cho
Chiyoda-ku, Tokyo, Japan
Tel: +81-3-5298-8071
Fax: +81-3-5298-8072
E-mail: info@portwell.co.jp
<http://www.portwell.co.jp>

Portwell Japan, Inc. (Osaka)

〒532-0004 Ste. 501 Nippo Shin-osaka
Dai-2 Bldg, 1-8-33 Nishi-Miyahara,
Yodogawa-ku, Osaka, Japan
Tel: +81-6-4807-7721
Fax: +81-6-4807-7720
E-mail: info@portwell.co.jp
<http://www.portwell.co.jp>

Beijing Portwell

4F, Building 5, Qunying Zone,
Chuangye Rd. 8, Shangdi, Haidian
District, Beijing 100085, China
Tel: +86-10-8270-1616
Fax: +86-10-8270-0606
E-mail: info@portwell.com.cn
<http://www.portwell.com.cn>

Portwell, Inc. (Headquarters)

No. 242, Bo-Ai St., Shu-Lin Dist.,
New Taipei City 238, Taiwan
Tel: +886-2-77318888
Fax: +886-2-77319888
E-mail: info@portwell.com.tw
<http://www.portwell.com.tw>

Shanghai Portwell

Room 1808 Yin Fa Mansion,
No. 1068 West Beijing Road,
Shanghai 200041, P.R. China
Tel: +86-21-3222-0505
+86-21-3222-0606
Fax: +86-21-6256-8056
E-mail: info@portwell.com.cn
<http://www.portwell.com.cn>

Shenzhen Portwell

Hunting 4th Building 28F
#Modern City, Nanshan District
Shenzhen 518052, China
Tel: +86-755-8621-7695
+86-755-8622-6424
Fax: +86-755-8617-2084
E-mail: info@portwell.com.cn
<http://www.portwell.com.cn>

European Portwell

Havenstraat 10, Nieuw-Vennep,
2153 GB, Netherlands
Tel: +31-252-620790
Fax: +31-252-621325
E-mail: info@portwell.nl
<http://www.portwell.nl>

Portwell (UK) Ltd.

Unit 15, Moorbrook,
Southmead Industrial Estate,
Diddot QX11 7HP, UK
Tel: +44(0)1235-750760
Fax: +44(0)1235-750761
E-mail: info@portwell.co.uk
<http://www.portwell.co.uk>

Portwell-Laxsons India

Laxsons House, AA2, Walbhat Road,
Goregaon (E), Mumbai - 400 063,
Maharashtra, India
Tel: +91-22-2685-9911
Fax: +91-22-2685-9922
E-mail: info@portwell.laxsons.com
<http://www.portwell.laxsons.com>