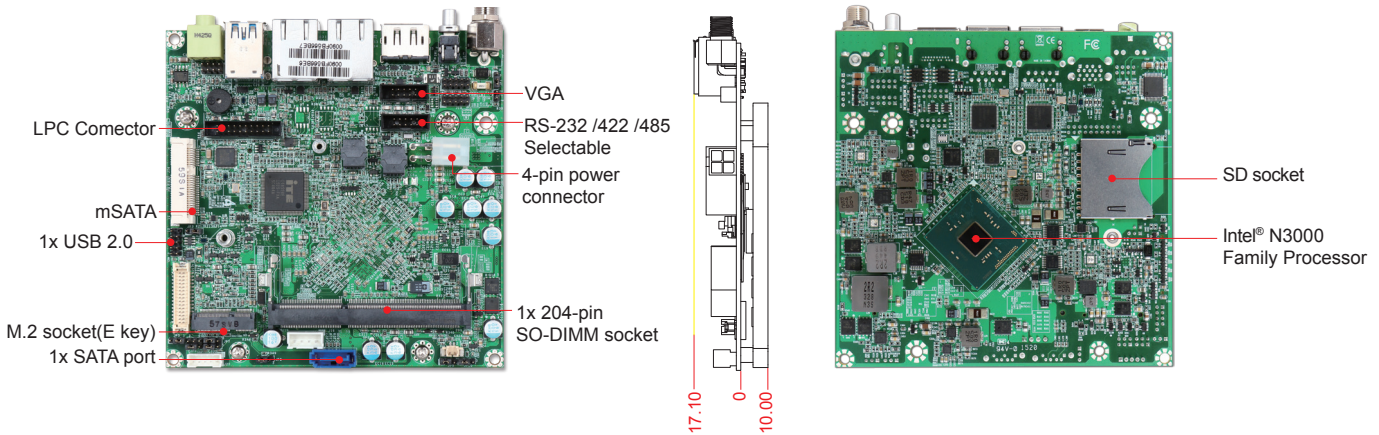


# NANO-6061

Intel® Braswell Pentium®/Celeron® Dual/Quad Core N3000 series SoC based on NANO-ITX. Board with Triple Displays, GbE LAN, USB 3.0, M.2, SD, SATA III, and mSATA



NANO-6061 build with Intel® Celeron® and Pentium® processor N3000 series that not only is it suitable for under 6W fan-less application but also powerful graphic display demand. With its superior up to Quad core processing power and high capability, the new architecture integrates more powerful 3D graphics engine and memory controller making it suitable for critical environments.

## FEATURES

- Intel® Pentium®/Celeron® Dual/Quad Core N3000 series SoC
- Supports one DDR3L 1600/1333 MT/s SO-DIMM up to 8GB
- Supports triple displays by VGA, DP, and dual channel 24 bit LVDS
- Supports 1x M.2 socket, SATA III port, and mSATA socket
- Supports 1x SD socket
- Supports DC 12V input

## REAR I/O



## ORDERING GUIDE

<b>AB1-3D89</b>	(R).NANO-6061-N3710. Nano-ITX ESB. Intel® Pentium® Quad Core 1.6GHz (6W). w/DDR3L SO-DIMM/ VGA/ LVDS/ DP/ GbE LAN/ M.2/ SATA III
<b>AB1-3D88</b>	(R).NANO-6061-N3160. Nano-ITX ESB. Intel® Celeron® Quad Core 1.6GHz (6W). w/DDR3L SO-DIMM/ VGA/ LVDS/ DP/ GbE LAN/ M.2/ SATA III
<b>AB1-3D88</b>	(R).NANO-6061-N3060. Nano-ITX ESB. Intel® Celeron® Dual Core 1.6GHz (6W). w/DDR3L SO-DIMM/ VGA/ LVDS/ DP/ GbE LAN/ M.2/ SATA

## PACKING LIST

One NANO-6061 NANO-ITX Main Board
One Passive Heat Spreader
One Installation CD

## GENERAL

Processor	- Intel® Pentium® /Celeron® Dual/Quad Core N3710/N3160/N3060 Processor (up to 6W) - With 2MB Cache
BIOS	AMI UEFI BIOS
Memory	1x DDR3L 1600/1333 MT/s SO-DIMM up to 8GB
Storage Devices	- 1x SATA III port - 1x mSATA socket
Watchdog Timer	Programmable by embedded controller
Hardware Monitoring	- Temperature (CPU & System) - Voltage (CPU Vcore, 12V, 5V, 3.3V, 1.35V)
Expansion Interface	1x M.2 socket (E key)

## I/O INTERFACE

Audio	- High Definition Audio integrated in Intel® SoC - Realtek ALC892 HDA codec - Audio jack on rear I/O with Line-out and on board pin header with Line-in, Line-out, and Mic-in
Ethernet	- Intel® I211AT GbE controller - 2x RJ45 connectors on rear I/O
Serial Port	1x RS-232/422/485 on board connector (selected by bios)
USB	- 2x USB 3.0 ports on rear I/O - 1x USB 2.0 port on board with pitch 2.0 header
GPIO	8-bit configurable controlled by embedded controller

## DISPLAY

Graphic Controller	-Intel® Gen 8 Graphics supports DirectX 11.2, OpenGL® 4.2 / OpenCL® 1.2 -Video decode HW acceleration support for H.264, H.265, MPEG2, VC1/WMV, JPEG, VP82, VP
Display Interface	- LVDS: Dual channel 24bit LVDS on board connector, up to 1920x1200 - CRT: 1x DB-15 on board connector, up to 2560x1600 - DP: 1x DP port on rear I/O, up to 3840x2160

## Mechanical & Environment

Dimension	120mm(L) x 120mm(W); 4.72"(L) x 4.72"(W)
Power Supply	DC 12V input
Environment	- Operation Temperature: 0°C~55°C - Storage Temperature: -20°C~85°C - Relative Humidity: 5%~95%, non-condensing
Certification	CE, FCC Class A
MTBF	Over 100,000 hours at 40°C

