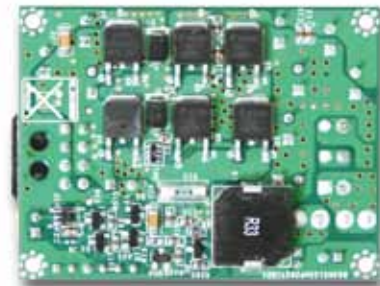




9V~27V / Mini-Fit 3 pin
input power connector



12V / Mini-Fit 8 pin
output power connector



GADIWA-R9271 is a wide input regulator for board type. GADIWA-R9271 can collocate with GADIWA-P0901 and GADIWA-1120 which are DC-DC converters; it's easily to deploy critical application. The converter is made and tested by automatic production line; therefore, it can provide high quality and performance. GADIWA-R9271 has special design for socket type fuse protection.

FEATURES

- Compact and user-friendly design for installation and maintenance
- Small size for 1U or higher system to save space
- Suitable for Car PC, Steamer, Truck, Boat and Adapter
- Special Design for Delay-Time
- Socket Type Fuse Protection

SPECIFICATION

Input Voltage	9V~27V
Line Regulation	9V~27V continuous, 7~30V<10 sec@cold start
Efficiency	>95% @ 14V input
MTBF	577,768hrs @45°C, 409,990hrs @55°C
EMI & Safety Approval	CE, FCC
Input Connector	Mini-Fit 3 pin (P/N: B6902060)
Output Connector	Mini-Fit 8 pin (P/N: B6902042)
Dimension (WxDxH)	60 x 45 x 22 mm

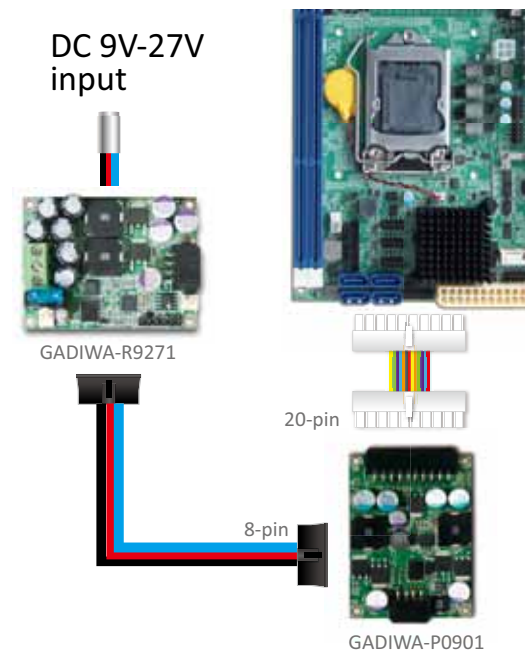
CHARACTERISTICS

Output Voltage	Load Regulation	Cross Regulation
+12V	12.3V @ 0~8.5A	12.3V @ 0~8.5A

ORDERING GUIDE

- **GADIWA-R9271**
9V to 27V/Wide-input, 12V/output Regulator, Board Type

INSTALLING DEMOSTRATION



MECHANICAL DRAWING

