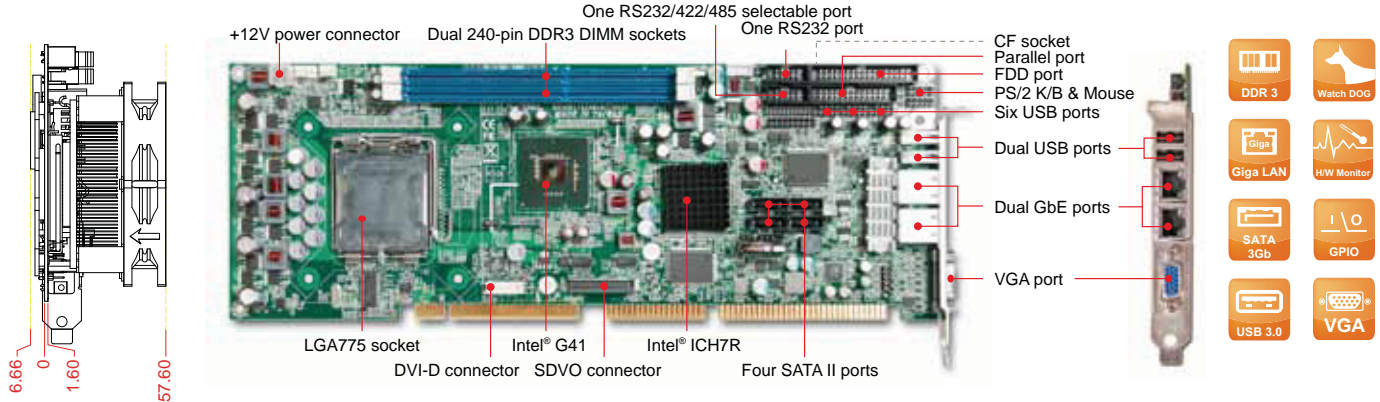


ROBO-8779VG2AR

Intel® Core™ 2 Quad processor based on PICMG 1.0 SBC with DDR3 SDRAM, VGA, DVI, Dual Gigabit Ethernet, Audio and USB



ROBO-8779VG2AR is based on the Intel® G41, ICH7R chipset and supports Core™ 2 Quad sku processors. It supports DDR3 memory up to 4GB. It's the entry level product and suitable for Digital Signage, Kiosk, and Multimedia applications.

FEATURES

- Supports Intel® Core™ 2 Duo and Core™ 2 Quad processors and offers flexible 1333/1066/800Mhz FSB selection
- Deliver up to 4GB maximum DDR3 1066/800 on two DIMM sockets
- Supports Intel® G41 integrated GMA X4500 graphic engine delivers optimized 3D graphics performance
- Supports dual display VGA and DVI-D interface, and SDVO connector for other types display by project
- Supports one CF socket up to UDMA5 mode
- Equipped with I/O connections such as FDD, two Gigabit Ethernet, serial ports, parallel port, USB 2.0, and SATA ports

ORDERING GUIDE

AB1-3349	(R).ROBO-8779VG2AR PICMG 1.0(PCI+ISA).LGA775.Core 2 Quad.SBC.w/VGA/Dual GbE/Audio
AB1-3428	(R).ROBO-8779VG2A PICMG 1.0(PCI+ISA).LGA775.Core 2 Quad.SBC.w/VGA/Dual GbE/Audio. w/o RAID

PACKING LIST

Standard	
	B690021S cable kit for FDD+PRN with bracket
	B6900270 Dual head COM port cable with bracket
	B6901990 SATA II cable
	B690003S Cable Assy 4F-4F
	B8981980 PICMG SBC Handling and Installation Notice
	B3751250 Installation CD
Optional	
	B6901442 PS/2 Keyboard/Mouse Cable with bracket
	AB9-2066 PA-M1AU Multiple Media kit
	AB9-3076 PA-G1D SDVO to DVI-D Output Accessory Board
	B6902230 USB port cable with bracket
	B6902300 Audio cable with line in/out/Mic in

GENERAL

Processor	- Intel® Core™ 2 Quad/Core™ 2 Duo/Celeron® Processor up to 2.93G (35W~95W) with 512K~2MB L2 Cache in LGA775 package - FSB: 1333/1066/800MHz - DMI x4 Link: 2.5 GT/s - Support Intel® Virtualization Technology (VT-x)
Chipset	- Intel® 82G41 Graphics and Memory Controller Hub (25W) - ICH7R (3.3W)
BIOS	AMI Core 8 BIOS
Memory	Supports up to 4GB DDR3 1066/800 SDRAM on dual 240-pin DIMM sockets
Storage Devices	- 6x SATA II drivers (RAID 0,1,5,10) - With RAID on ROBO-8779VG2AR, w/o RAID on ROBO-8779VG2A - 1x Type II CompactFlash® socket supports Ultra DMA133/100/66/33 MB/s - 1x FDD channel
Watchdog Timer	Programmable via S/W from 0.5 sec. to 254.5 sec.
Hardware Monitoring	System monitor (Voltage, Fan speed and Temperature)
Expansion Interface	- 4x PCI devices at 32-bit 33MHz

I/O INTERFACE

Super I/O	Winbond W83627THG
Audio	- Intel® 82G41 built-in High Definition Audio up to 192-kHz 32-bit - Realtek ALC662-GR HDA codec, 5.1 channels
Ethernet	- Intel® 82574L gigabit ethernet controller x2 - Dual RJ-45 connector with two LED indicators on bracket
Serial Port	- 1x RS232 on board box header - 1x Selectable RS232/422/485 on board box header
USB	- 8x USB 2.0 ports - 480 Mb/s bus comprehends the high-speed/full-speed/low-speed data ranges
Keyboard & Mouse	2x USB 2.0 ports on bracket dedicated to keyboard & mouse
GPIO	On board programmable 8-bit Digital I/Os
Others	1x parallel port on board box header

DISPLAY

Graphic Controller	- GMCH integrated Intel Graphic Media Accelerator (GMA) x4500 - Provides improved 3D multimedia capabilities including Microsoft DirectX 10, Shader Model 4.0, OpenGL 2.0 - Intel Dynamic Video Memory Technology (DVMT) 5.0 shares system memory up to 1GB
Display Interface	- VGA on bracket: Resolution up to 2048x1536 - DVI-D: up to 2048x1536 - SVDO: Optional DVI-D output card via SDVO

Mechanical & Environment

Dimension	- 338.5(L) x 122(W)mm; 13.33"(L) x 4.8"(W) - PCB: 8 layers
Power Supply	- Typical: +12V@4.48A; +5V@6.54A - Supports ATX mode
Environment	- Operation Temperature: 0~60 °C - Storage Temperature: -20~80 °C - Relative Humidity: 5~90%, non-condensing
MTBF	Over 110,000 hours at 40°C

