



FEATURES

- Comply with Embedded Compact Extended (ECX) form factor Board
- Simplicity of Embedded platform with Fan Less technology
- Low power consumption and none noise/ vibration for special environment
- Built VGA/LAN/USB/COM ports
- Rugged and Tool Free assembled design for easily maintenance

GENERAL

CPU	Support various kind of ECX board (Ultra Low Voltage Intel® Celeron® 1GHz processor)
System Memory	Depends on the what kind of ECX inside (Up to 1GB DDRII 400/533 one SD-DIMM socket)
Display	On board graphic capability form ECX ESB (Intel 915 GM integrate GMA 900 controller)
Audio	Reversed audio interface for system use (depends on expansion daughter board)
Ethernet	Single 10/100 Mbps support
System indicators	Power/Storage/LAN
Storage	Compact Flash Card
Expansion	PB-M1A dedicates Mini-PCI, Audio, USB x2 by PMIO (Portwell Modules I/O) interface
COM port	1x RS232
LAN port	1x RJ45
VGA port	1x DB15
Audio port	Line-in/Line-out/MIC
USB port	4x USB
Mouse & KB	1x PS/2 mini DIN
Dimension	190 x 170 x 50 mm
Weight	2~2.5 Kg

POWER SUPPLY

Power input	AC Power adapter (100~240Vac:input; 19V/4.7A:output)
Power output	DC to DC Converter (90 Watts)

ORDERING GUIDE

Standard	<p>ARTO-1070-A Advance ECX based Fan-Less Chassis for embedded application</p> <p>ARTO-1070-B Advance ECX based Chassis with one 4cm system fan for embedded application</p>
-----------------	--

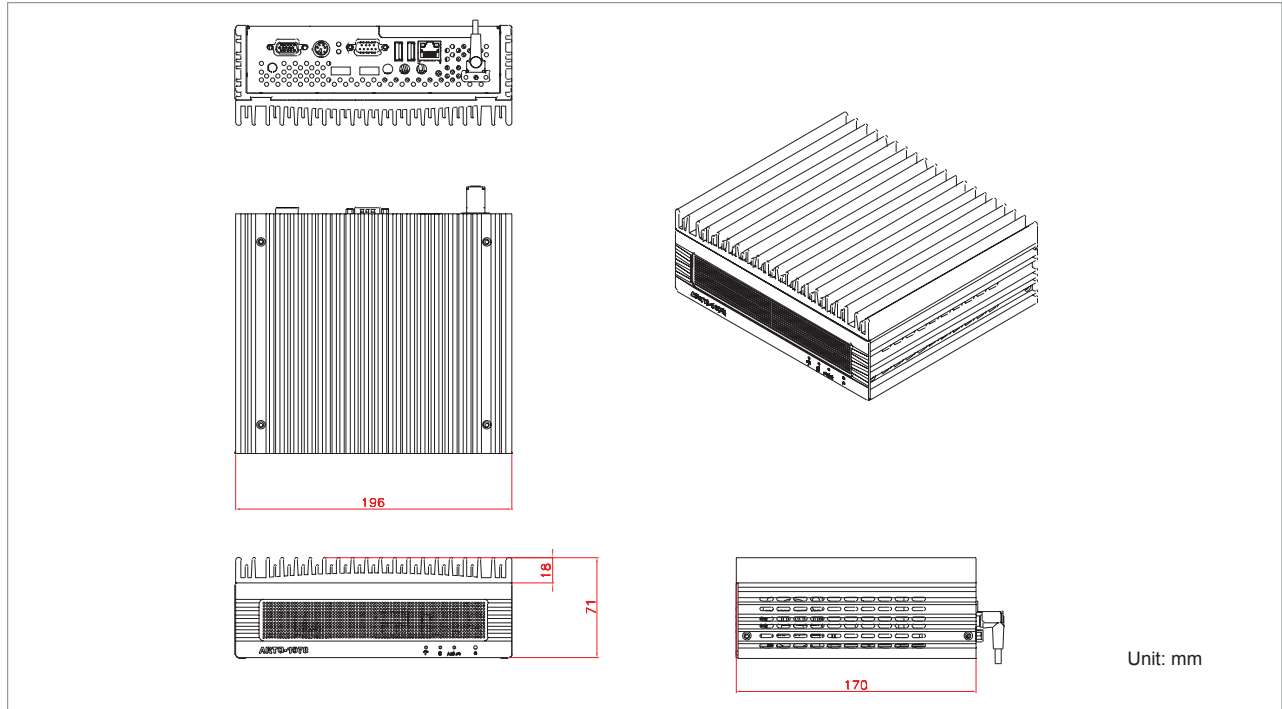
ENVIRONMENT

Operating Temperature	0 to 60°C
Storage Temperature	-20°C to 70°C
Relative Humidity	5% to 95%, non-condensing



ENGINEERING DRAWING

ARTO-1070-A



ENGINEERING DRAWING

ARTO-1070-B

