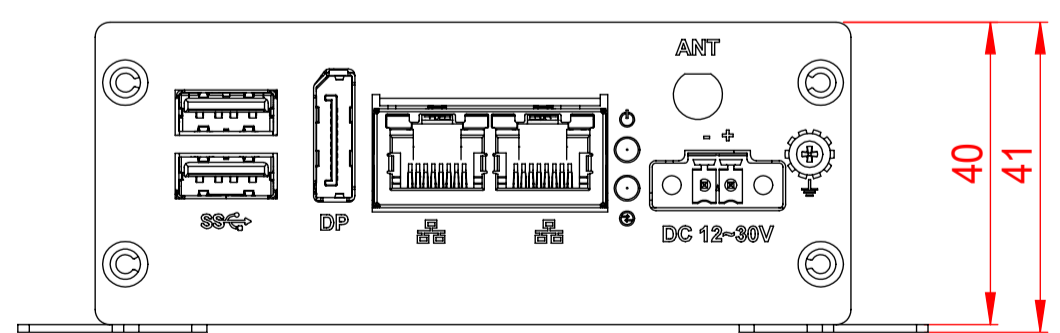
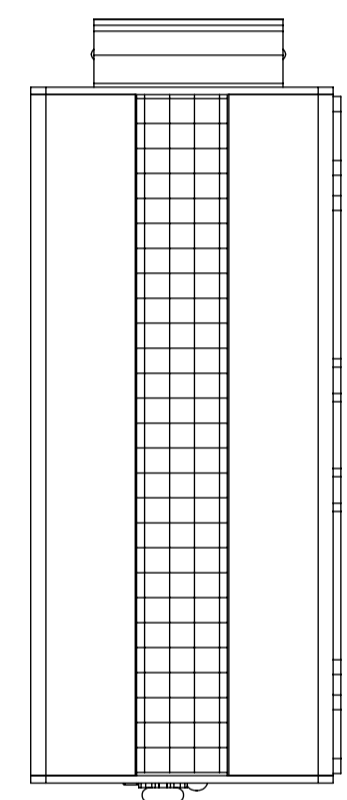
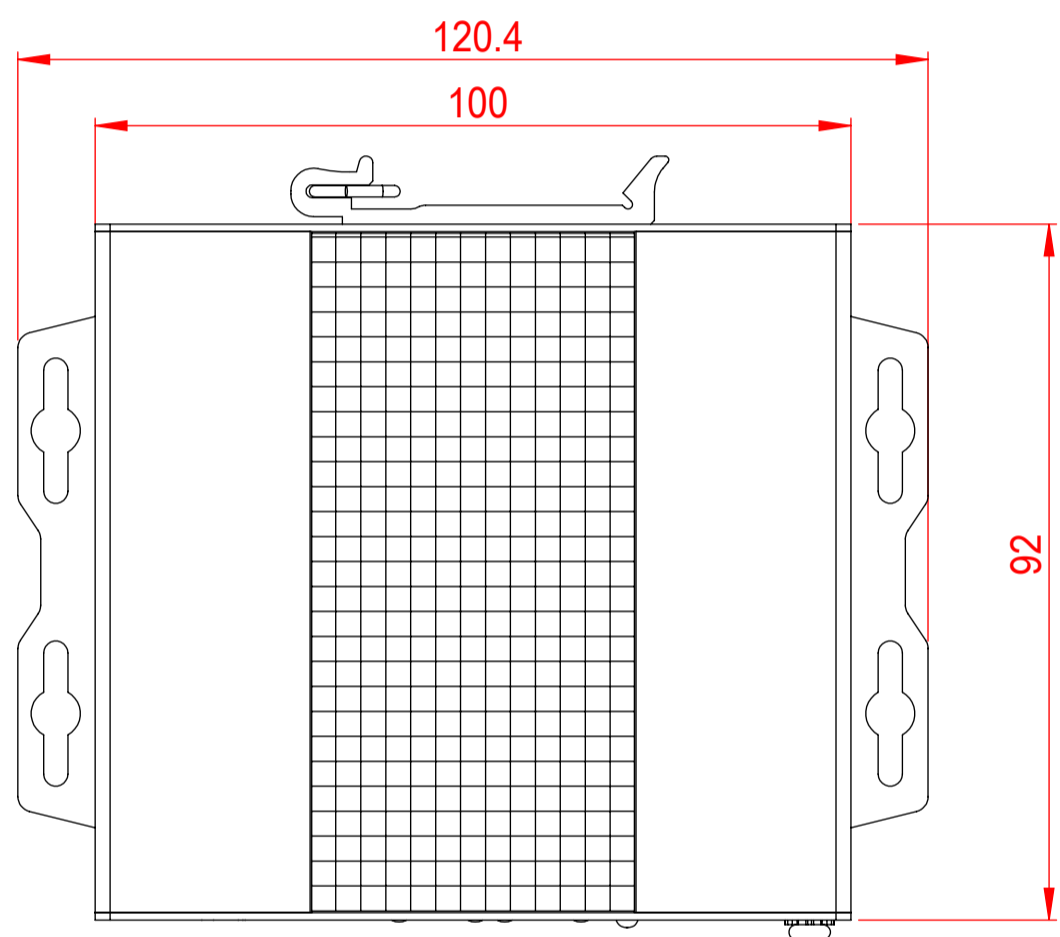
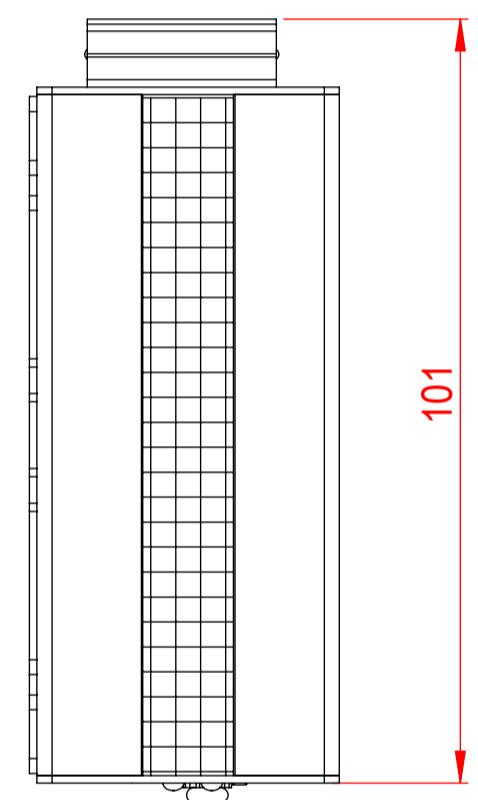
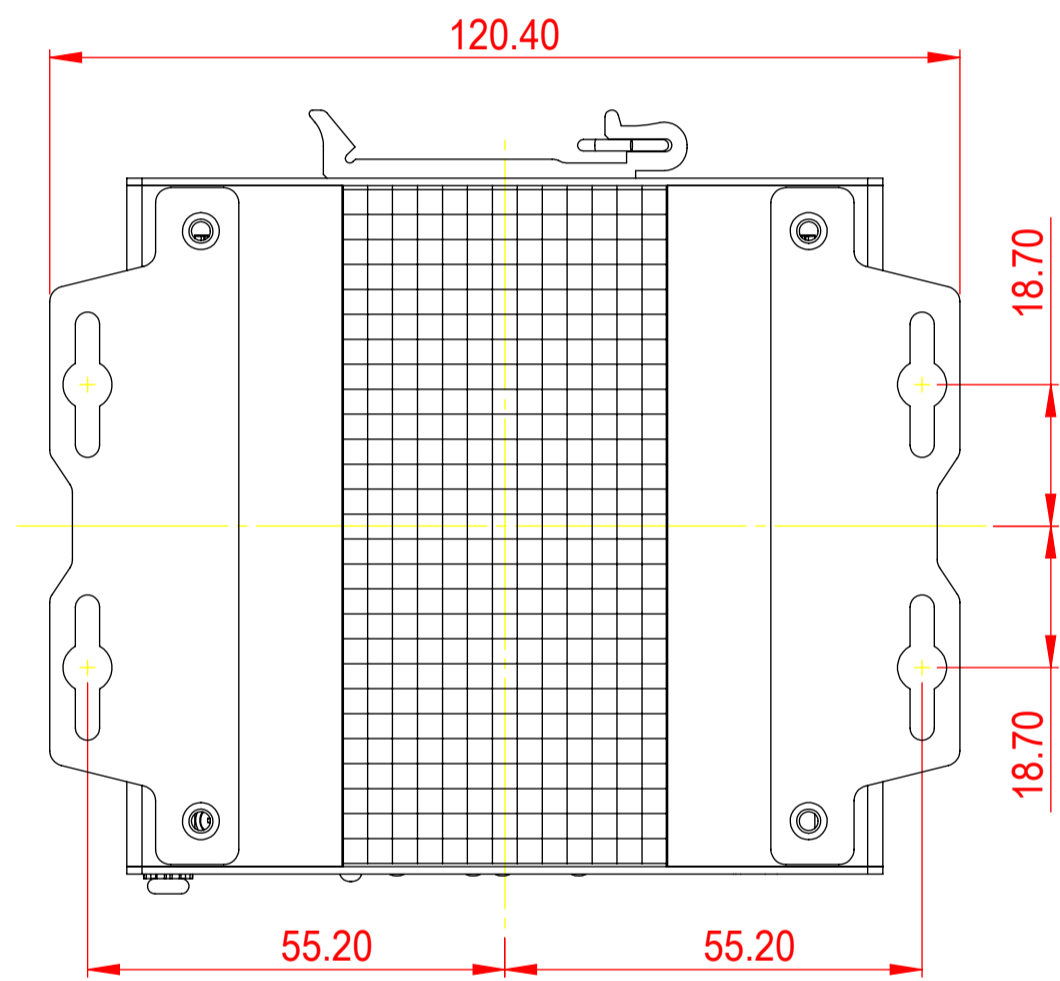
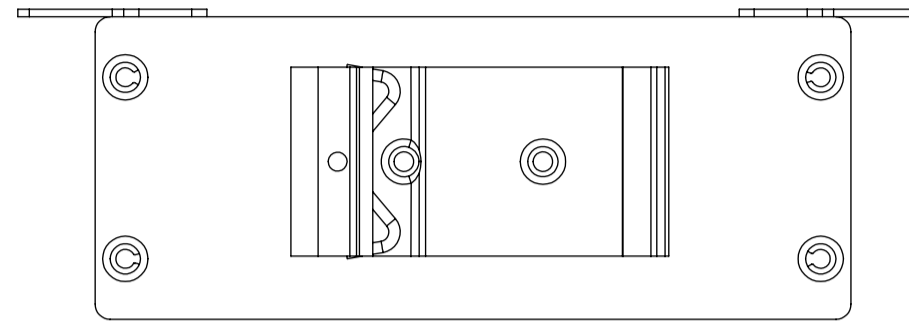
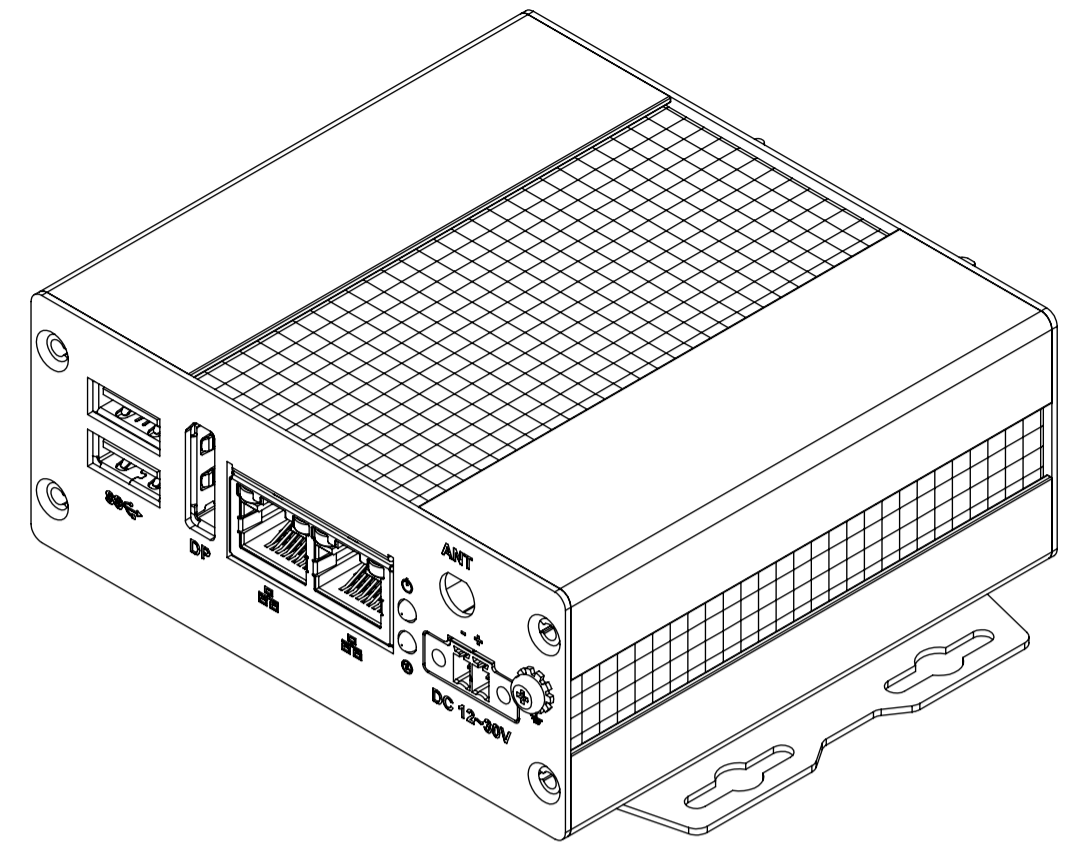


A B C D E F



*加註數字編號為重點尺寸,請QC單位列為檢驗重點

Ver : 0

4			
3			
2			
1			
Mark	Description	Date	Sign

Portwell Inc.
 7F, No. 242, Bo-Ai St., Shu-Lin City, Taipei County 238, Taiwan
 Tel: +886-2-7731-8888 Fax: +886-2-7731-9888

TOL	CNC	鉅鑽	壓鑄	塑膠射出	鉅刀機	橡膠壓製	沖壓模貝	NCT	TITLE	DWG. NO.	DATE
0-6.99	0.2	0.35	0.4	0.2	0.3	0.2	0.2	0.2	Outline	B7XX	10/31/19
7-30.99	0.25	0.4	0.5	0.3	0.4	0.3	0.2	0.2	MODEL	B7XX	Viewpoint
31-80.99	0.3	0.45	0.6	0.4	0.5	0.4	0.2	0.25	MATERIAL		SCALE
81-180.99	0.35	0.5	0.7	0.5	0.6	0.8	0.25	0.3	FINISH		UNIT
181-315.99	0.45	0.6	0.9	0.8	0.8	1.2	0.3	0.3		APPROVED.	1=1
316-800	0.5	0.8	1	1	1.2	1.5	0.4	0.4		DRAWN	mm.

A B C D E A2